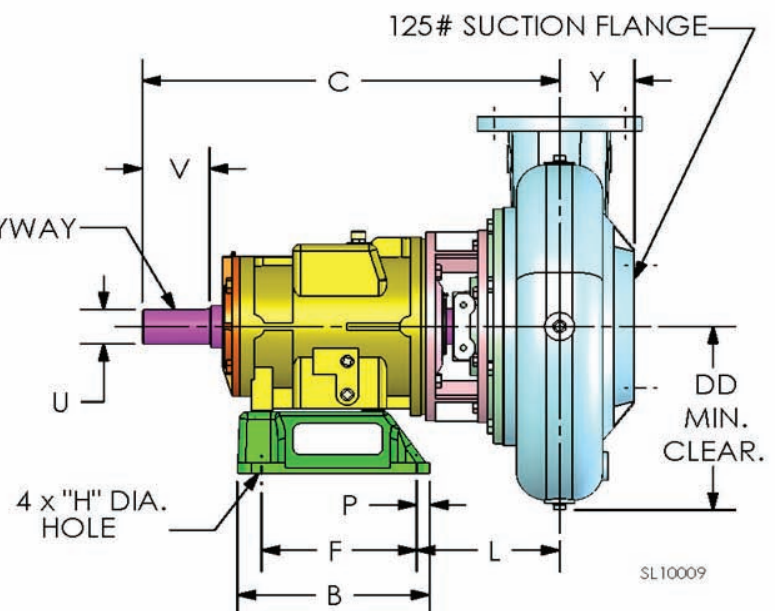
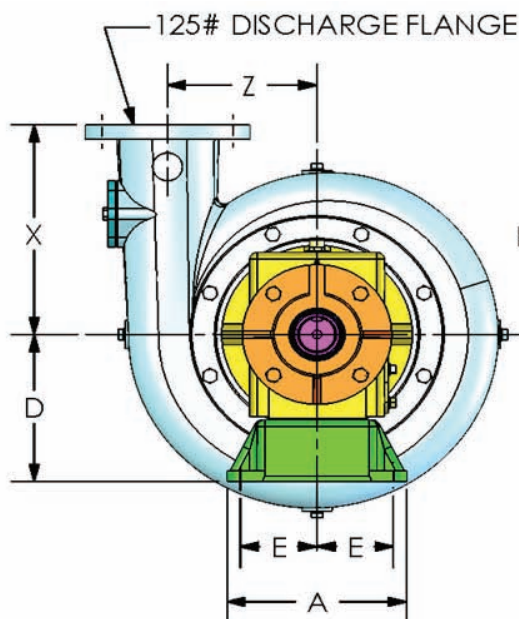


10NHTB-F

DATA SHEET



- **Size:** 10NHTB - 10" discharge x 12" suction with 125# cast iron flanges
- **Casing:** Cast Iron
- **Impeller:** Enclosed - 2 vane. Handles 4.75" diameter solids •
- **Wear Rings:** Replaceable (Double wear rings available)
- **Seal:** Gemstone's patented Cycloseal® design with Run-Dry™ oil lubrication system. John Crane T-2 single mechanical seal with Viton® elastomers, stainless steel hardware and tungsten- vs. siliconcarbide seal faces for abrasion resistance
- **Shaft Sleeve:** Heat treated 416 stainless steel
- **Bearings:** Heavy duty, grease lubricated, deep groove ball bearings, with a minimum of 20,000 hours bearing life



NOTES:

1. "V" Dimension is maximum useable shaft.
2. Frame mounting foot thickness is .75".
3. Flange connection dimension can vary $\pm .12$ inch.
4. Do not use for construction unless certified.

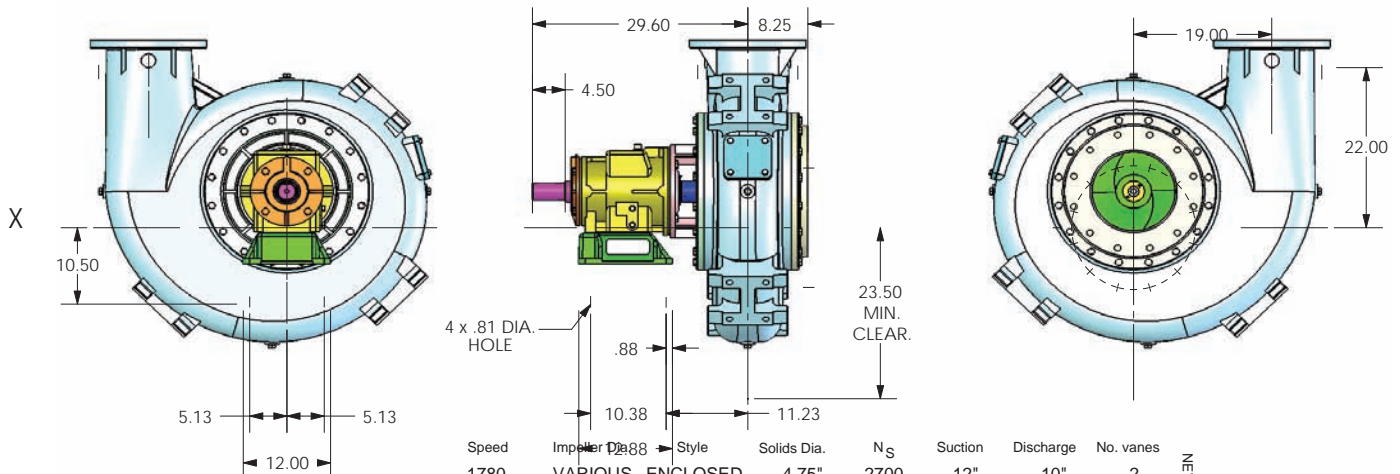
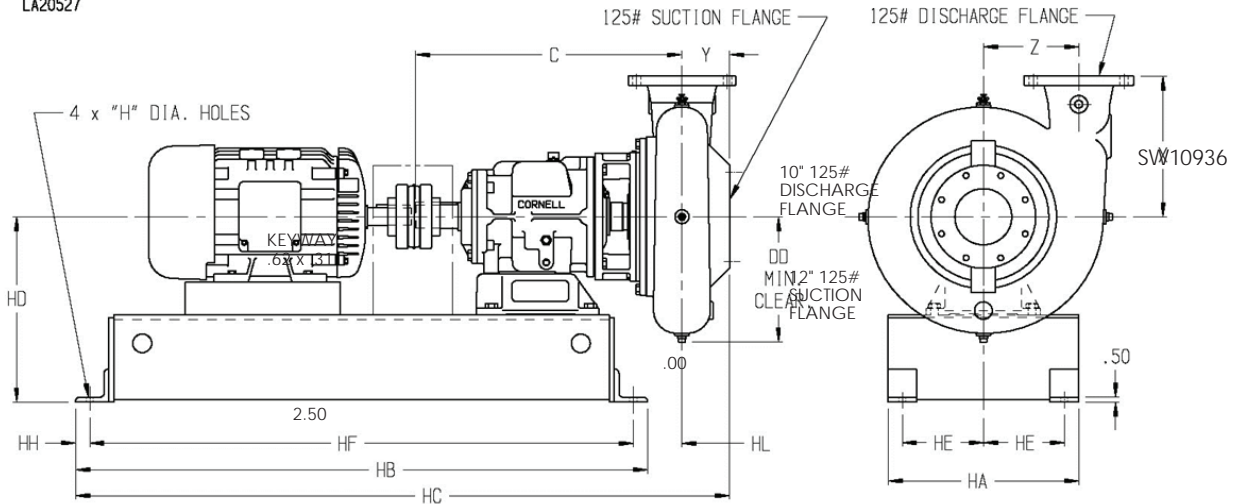
A typical picture of the pump is shown. Please contact Gemstone's Pump Company for further details. All information is approximate and for general guidance only.

10NHTB-F

DATA SHEET

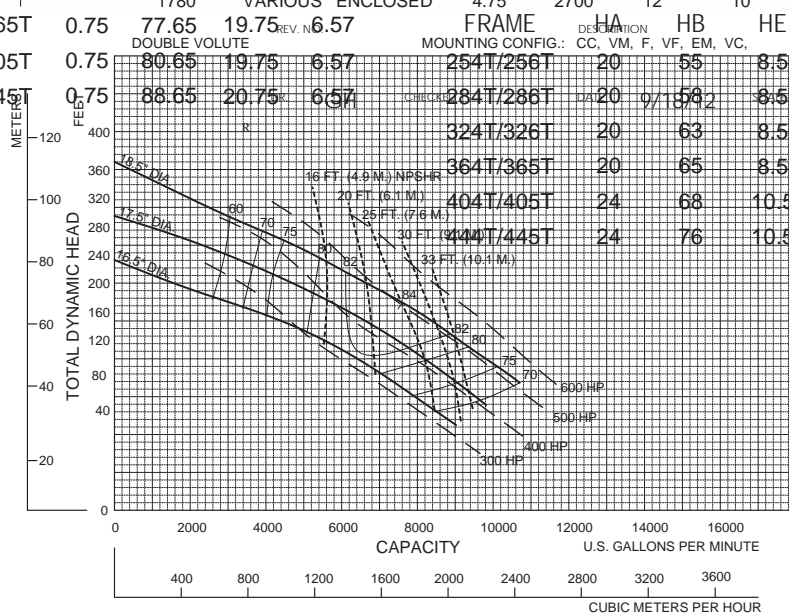


LA20527



NOTE: 1. OVERALL DIMENSION MAY VARY ± .12

Model	Speed	Impeller Dia	Style	Solids Dia.	N _s	Suction	Discharge	No. vanes	NEW PAGE	HH	PRT. NO.
364T/365T	1780	288	VARIOUS ENCLOSED	4.75"	2700	12"	10"	2	52	1.5	B5142 ²⁶
404T/405T	1780	360	VARIOUS ENCLOSED	4.75"	2700	12"	10"	2	55	1.5	B4090
444T/445T	1780	440	VARIOUS ENCLOSED	4.75"	2700	12"	10"	2	60	1.5	B4088
364T/365T	1780	288	VARIOUS ENCLOSED	4.75"	2700	12"	10"	2	62	1.5	B5150
404T/405T	1780	360	VARIOUS ENCLOSED	4.75"	2700	12"	10"	2	65	1.5	B5148
444T/445T	1780	440	VARIOUS ENCLOSED	4.75"	2700	12"	10"	2	73	1.5	B5149



Performances shown are for cool water, close to design conditions. Overhaul and repair of pump or motor may change horsepower and/or performance adjustments.

09/16/03

10NHTB-F