

# 14NHG28

## AVAILABLE MOUNTING CONFIGURATIONS

14NHG28-F FRAME MOUNT  
 14NHG28-RP-F REDI-PRIME FRAME MOUNT  
 14NHG28-EM ENGINE MOUNT  
 14NHG28-RP-EM REDI-PRIME ENGINE MOUNT  
 14NHG28-VF VERTICAL FRAME MOUNT

## OPERATING LEVELS

<b>MIN FLOW</b>	3000 GPM	681 m <sup>3</sup> /h
<b>MAX FLOW</b>	13800 GPM	3132.6 m <sup>3</sup> /h
<b>DISCHARGE SIZE</b>	14"	356 mm
<b>SUCTION SIZE</b>	16"	406.4 mm
<b>SOLIDS HANDLING</b>	4.25"	10.6 cm
<b>MAX SPEED</b>	1200 RPM	1200 RPM
<b>SHUT-OFF HEAD</b>	425'	129.5 m
<b>BEP HEAD</b>	300'	91.5 m
<b>BEP FLOW</b>	11600 GPM	2633 m <sup>3</sup> /h
<b>BEP PERCENT</b>	85%	85%



A typical picture of the pump is shown. Please contact Gemstone Pump Company for further details. All information is approximate and for general guidance only.

PARTS	STANDARD MATERIAL (ALL IRON)
<b>WEAR RING</b>	CAST IRON ASTM A48
<b>IMPELLER</b>	CAST IRON ASTM A48
<b>VOLUTE</b>	DUCTILE IRON
<b>SHAFT</b>	17-4PH STAINLESS STEEL
<b>SHAFT SLEEVE</b>	416 STAINLESS STEEL
<b>SUCTION COVER</b>	CAST IRON ASTM A48
<b>MECHANICAL SEAL</b>	TUNGSTEN CARBIDE VS. SILICON CARBIDE
<b>BEARING FRAME</b>	CAST IRON ASTM A48

The 14NHG28 pump is designed with Gemstone's renowned quality and durability. It features a 14" discharge, 14" suction, and double volute. Gemstone's patented Cycloseal® design is standard, with a Type 2 single mechanical seal, stainless steel hardware and tungsten carbide vs. silicon carbide seal faces for abrasion resistance. Bearings are a heavy duty grease-lubricated ball bearings with a minimum life of 50,000 hours.

- Superior lift capability
- Robust solids handling capability
- Premium hydraulic efficiency
- Cycloseal® design mechanical seal
- Heavy-duty construction • RunDry™ option • Redi-Prime® fully automatic self-priming; dry-priming available



AGRICULTURE



FOOD



INDUSTRIAL



MINING



MUNICIPAL



OIL & GAS

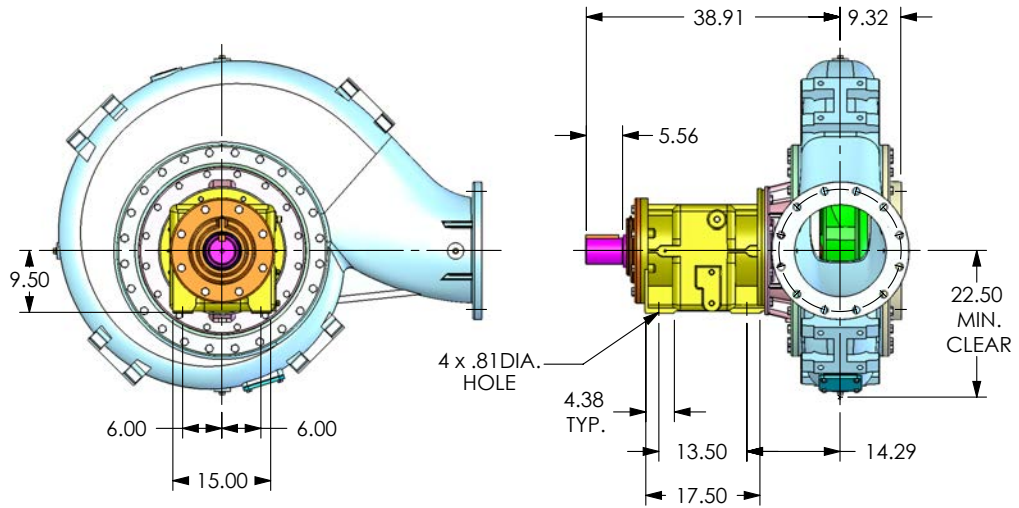


REFRIGERATION



RENTAL

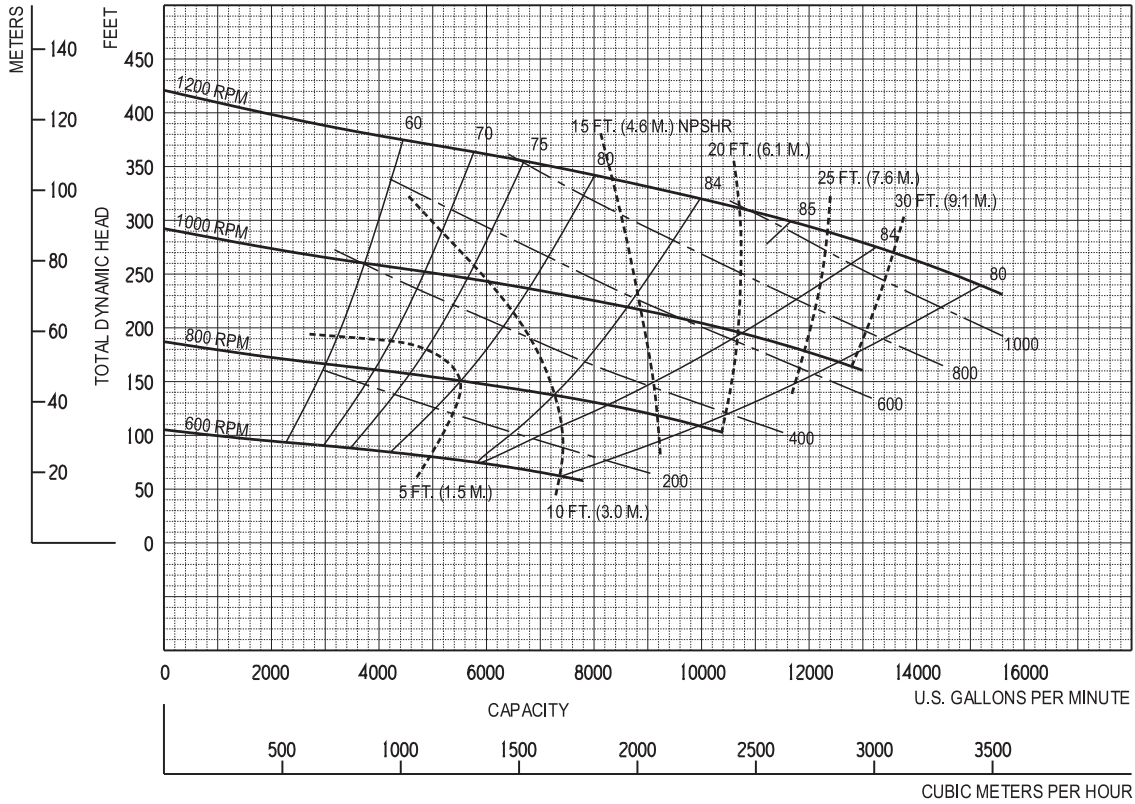
# 14NHG28



Feet x .305 = Meters  
 Inches x 25.4 = Millimeters  
 GPM x .227 = Cubic Meters/Hour  
 GPM x 3.785 = Liters/Minute  
 HP x .746 = KW

Speed	Impeller Dia.	Style	Solids Dia.	N <sub>S</sub>	Suction	Discharge	No. vanes
VARIOUS	28"	ENCLOSED	4.25"	1800	14"	14"	3

SINGLE VOLUTE MOUNTING CONFIG.: F, VF, EM, VC



Performances shown are for cool water, close-coupled electric configuration with Cycloseal®. Other mounting configurations, seal arrangements or liquids may require horsepower and/or performance adjustments.

5/02/11

Gemstone Pump Company

14NHG28 - VARIOUS RPM

NEW PAGE

14NHG28VA