

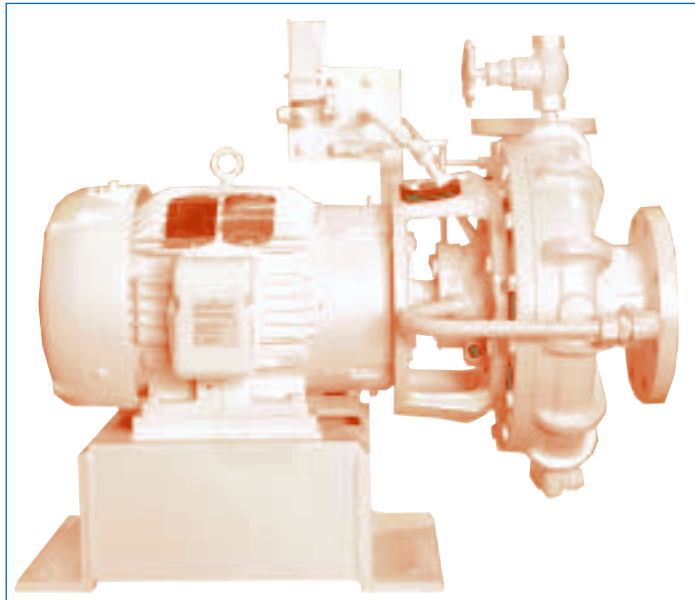


# GEMSTONE PUMP COMPANY

## Refrigerant Pump 2.5CBH

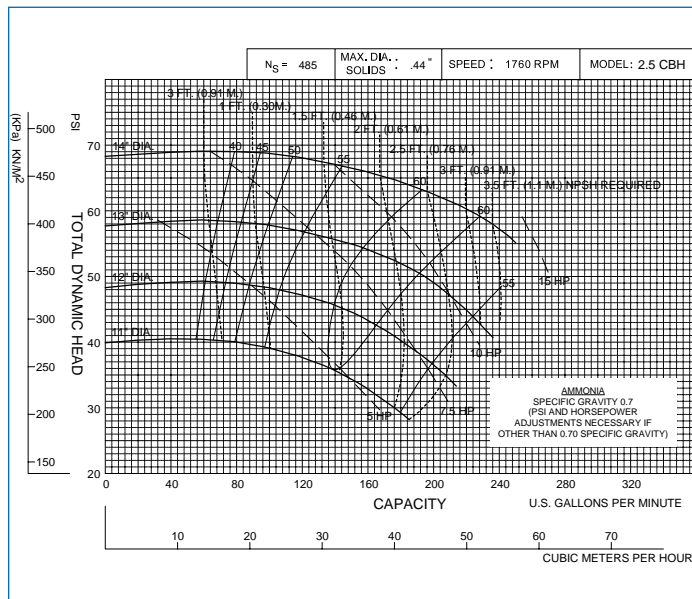
### PUMP SPECIFICATION

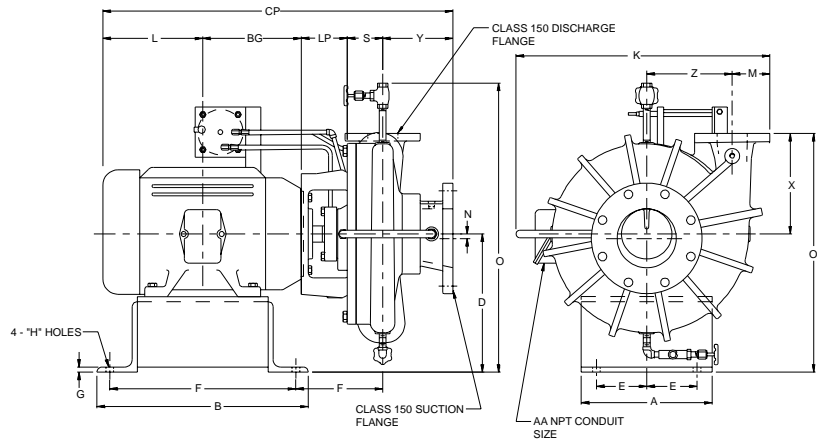
- 2.5CBH Close coupled refrigerant pump
- 5" x 2.5" Class 150 Flanged suction & discharge
- Constructed of ASTM A536 60-40-18 Ductile Iron
- Industry leading two year warranty
- Four pole (1800/1500RPM) operating speed
- Optional mounting configurations available
- Polar white
- **Mechanical Seal:**  
John Crane, 1.62", T-2, double mechanical shaft seal with pressurized barrier fluid lubrication system, low oil limit switch, and seal chamber heater to maintain proper barrier oil viscosity
- **Motor Specification:**  
Close coupled to a totally enclosed fan cooled, refrigerant atmosphere, hostile environment, premium efficiency motor, with class "F" installation; suitable for VFD applications



### FEATURES & BENEFITS

- **Refrigerant Emission Free™ Sealing Technology**
  - an ultra-reliable system consisting of two mechanical seals mounted back to back
  - inboard seal prevents escape of refrigerant from the pump casing
  - outboard seal acts as a fail-safe or backup, and provides containment of a system compatible barrier fluid.
- **NPSHR**
  - exceptional NPSHR characteristics
  - characteristics are enhanced throughout entire operating range due to the single stage impeller and four pole operating speed
- **Vapor Entrainment**
  - seals are oil lubricated, and do not rely on the presence of pumpage for lubrication or cooling
  - the double mechanical sealing system allows the pump to continue to run until the system stabilizes and the pump reprimed itself - nuisance-tripping is avoided





## PUMP DIMENSIONS

Model	NEMA Frame	Connection			A	B	D	E	F	G	H	J	K	M	N	O	R	S	X	Y	Z	LP	OP
		Disch.	Suct.	Type																			
2.5CBH	213-215	2.50	4.00	FLG.	13.00	21.00	13.75	5.00	18.50	.50	.75	1.25	19.81	3.50	.61	27.19	6.62	2.75	9.00	5.50	7.47	5.25	22.75
	254-256	2.50	4.00	FLG.	13.00	21.00	13.75	5.00	18.50	.50	.75	1.25	19.81	3.50	.61	27.19	8.62	2.75	9.00	5.50	7.47	5.25	22.75
	284-286	2.50	4.00	FLG.	13.00	21.00	14.50	5.00	18.50	.50	.75	1.25	19.81	3.50	.61	27.93	10.12	2.75	9.00	5.00	7.47	5.25	23.50

## MOTOR DIMENSIONS

HORSEPOWER 1800 RPM	NEMA Frame	L	BG	AA	See Note No. 3
3.0 - 5.0	182	7.69	6.25	0.75	CP=
3.0 - 5.0	184	7.69	6.25	0.75	CP=
7.50	213	8.81	8.00	1.00	CP=
10.00	215	8.81	8.00	1.00	CP=

**Notes:**

1. Motor dimensions are TEFC NEMA Standard
2. Motor dimensions are based on Baldor electric motors; motor dimensions L, BG, & AA may vary for other manufacturers.
3. Dimension "CP" to be filled in after selection of pump and motor.
4. Dimension "O" is 12.12 - inch for 1.5CB and 1.5CLB with 213 frame.

Gemstone Pump Company

ISO9001 CERTIFIED