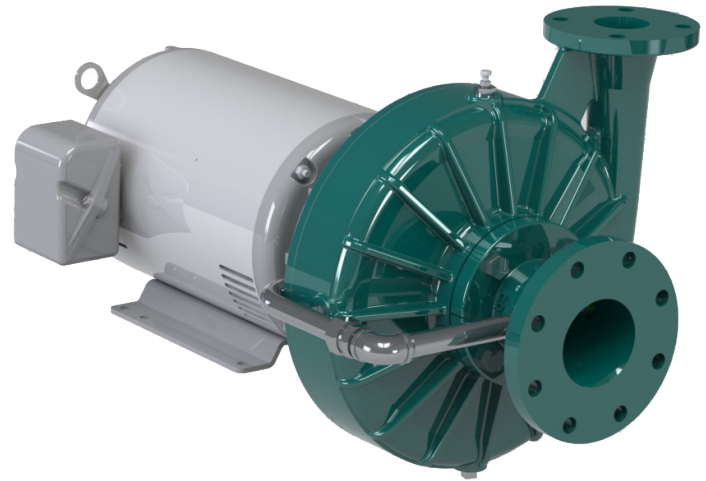


### AVAILABLE MOUNTING CONFIGURATIONS

2.5H-CC CLOSE COUPLED  
2.5H-VM VERTICAL CLOSE COUPLED

### OPERATING LEVELS

<b>MIN FLOW</b>	60 GPM	13.6 m <sup>3</sup> /h
<b>MAX FLOW</b>	380 GPM	86.3 m <sup>3</sup> /h
<b>DISCHARGE SIZE</b>	2.5"	63.5 mm
<b>SUCTION SIZE</b>	4"	101.6 mm
<b>SOLIDS HANDLING</b>	.41"	10 mm
<b>MAX SPEED</b>	1800 RPM	1800 RPM
<b>SHUT-OFF HEAD</b>	232'	70.7 m
<b>BEP HEAD</b>	205'	62.5 m
<b>BEP FLOW</b>	330 GPM	75 m <sup>3</sup> /h
<b>BEP PERCENT</b>	68%	68%



A typical picture of the pump is shown. Please contact Gemstone Pump Company for further details. All information is approximate and for general guidance only.

PARTS	ALL IRON	CAST IRON BRONZE FITTED
<b>IMPELLER</b>	CAST IRON ASTM A48 CL30	CAST IRON ASTM A48 CL30
<b>VOLUTE</b>	CAST IRON ASTM A48 CL30	CAST IRON ASTM A48 CL30
<b>SHAFT</b>	CARBON STEEL	CARBON STEEL
<b>SHAFT SLEEVE</b>	303 STAINLESS STEEL	BRONZE SAE 660
<b>WEAR RINGS</b>	CAST IRON ASTM A48 CL30	BRONZE SAE 660
<b>SUCTION SPOOL</b>	CAST IRON ASTM A48 CL30	CAST IRON ASTM A48 CL30
<b>BACKPLATE</b>	CAST IRON ASTM A48 CL30	CAST IRON ASTM A48 CL30
<b>MECHANICAL SEAL (OPTIONAL)</b>	T-1, BUNA, CARBON/CERAMIC/STAINLESS	T-1, BUNA, CARBON/CERAMIC/BRASS
<b>PACKING</b>	GRAPHITED ACRYLIC	GRAPHITED ACRYLIC
<b>MOTOR</b>	ODP W/ 1.15 SF	ODP W/ 1.15 SF

The 2.5H pump is designed with Gemstone's renowned quality and durability. It features a 2.5" discharge, 4" suction, enclosed impeller, and flanged tangential single volute. Available in all-iron or bronze-fitted materials. Graphited acrylic packing is standard, with Gemstone's patented Cycloseal available (with type 1 single mechanical seal). Optional motors include TEFC (other options available).

- Standard cast iron bronze fitted construction (CI impeller)
- External hydraulic balance line
- Back pullout design
- Replaceable hub & suction wear rings
- Replaceable shaft sleeve
- "Shower curtain shield" bearing protection
- High efficiency hydraulics
- Low operating costs
- Two year warranty
- Other mechanical seal (Cycloseal) and material options available



AGRICULTURE



FOOD



INDUSTRIAL



MINING



MUNICIPAL



OIL & GAS

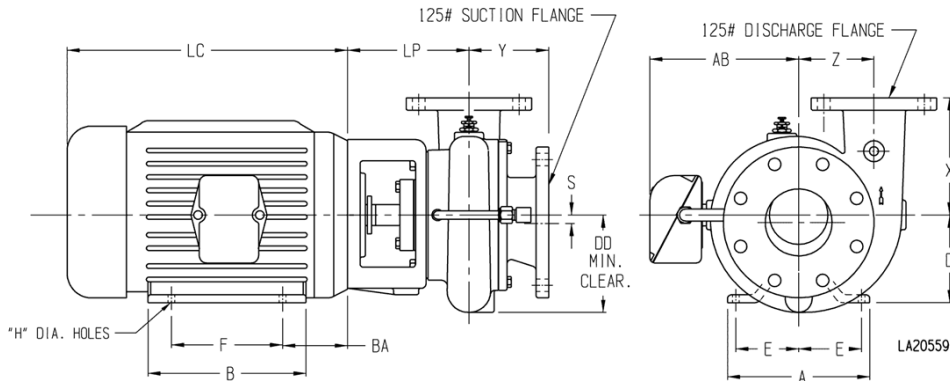


REFRIGERATION



RENTAL

# 2.5H-CC



PUMP DIMENSIONS										
MODEL	CONNECTION		DISCH. INCR.	AK DIM.	DD	S	X	Y	Z	LP
	DISCH.	SUCT.								
2.5H	2.5	4	90°	8.5	9.62	0.44	11	8.28	7.75	7.66
				12.5	9.62	0.44	11	8.28	7.75	7.66
3HA	3	6	90°	12.5	11.12	0.44	10	8.53	8.5	10.09
3HC	3	6	90°	12.5	11.12	0.44	10	8.53	8.5	10.09
4HC	4	8	90°	12.5	12.62	0.88	11	10.88	9.75	11.19
4HH	4	6	90°	12.5	15	0.44	9.5	8.97	11.25	10.12
5H	5	8	90°	12.5	14.75	0.88	13	9.66	11.62	10.15
				16.5	16.25	0.44	11	10.56	10.25	10.81
5HH	5	8	90°	12.5	14.75	0.44	14	10.18	11.62	10.12
				16.5	14.75	0.44	14	10.18	11.62	10.12
6H	6	8	90°	12.5	17.12	0.44	12	10.43	12	11.13
				16.5	17.12	0.44	12	10.43	12	11.13
6HH	6	8	90°	12.5	17.12	0.44	12	10.43	12	11.13
				16.5	17.12	0.44	12	10.43	12	11.13
8H	8	10	90°	12.5	16.75	0.75	13	10.41	11.5	11.38
				16.5	16.75	0.75	13	10.41	11.5	11.38

MOTOR DIMENSION										
MOTOR FRAME	AK DIM.	A	B	D	E	F	H	AB	BA	LC
213-5	8.5	9.5	8	5.25	4.25	7	0.41	7.94	4.5	13.69
254-6	8.5	11.25	11.25	6.25	5	10	0.53	9.5	5	17.94
284-6	12.5	12.25	12.25	7	5.5	11	0.53	11.37	5	21.31
324-6	12.5	14.25	13.75	8	6.25	12	0.66	12.22	5.5	22.19
364-5	12.5	15.75	14	9	7	12.25	0.66	13.2	6.12	24.31
404-5	12.5	18.5	16.62	10	8	13.75	0.81	16.39	6.88	29.97
444-5	16.5	21.5	19.5	11	9	16.5	0.81	19.06	7.5	31

