

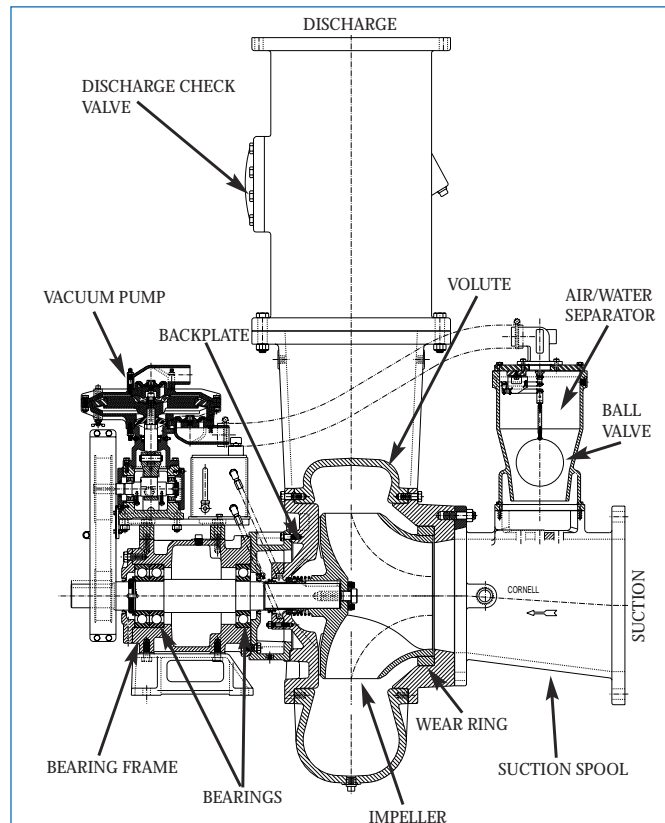


GEMSTONE PUMP COMPANY

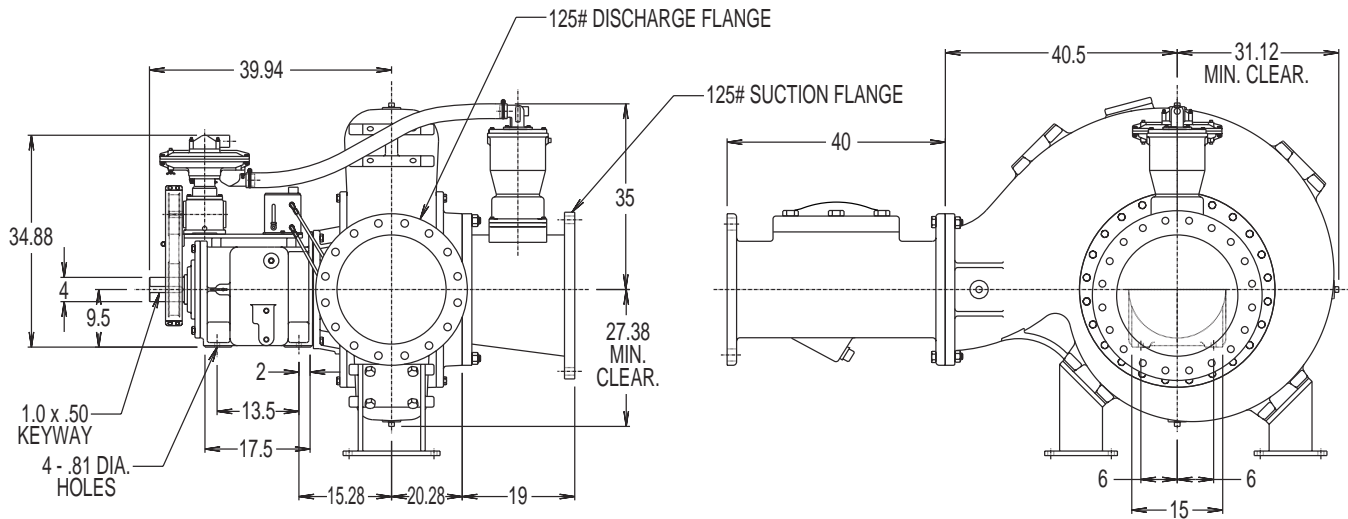
Model 20NHF-F Redi-Prime®

PUMP SPECIFICATIONS

- **Size:** 20NHF- 20" discharge x 24" suction with 125# cast iron flanges.
- **Casing:** Cast Iron.
- **Impeller:** Enclosed - 4 vane. Handles 5" diameter solids.
- **Wear Rings:** Replaceable. (Double wear rings available).
- **Seal:** Gemstone's patented Cycloseal® design with Run-Dry oil lubrication system. John Crane T-2 single mechanical seal with Viton® elastomers, stainless steel hardware and tungsten- vs. silicon-carbide seal faces for abrasion resistance.
- **Check Valve:** SwingFlex® Val-Matic®. (Option available at additional cost).
- **Shaft Sleeve:** Heat treated 416 stainless steel.
- **Bearings:** Heavy duty, grease lubricated, deep groove ball bearings, with a minimum of 50,000 hours bearing life.
- **Hardware:** Stainless steel float linkage. A positive seating vacuum priming valve prevents water carry-over to the vacuum, pump or atmosphere.
- **Vacuum Pump** - 50 SCFM Maximum.



PUMP DIMENSIONS



- NOTES:**
1. Frame mounting foot thickness is .75".
 2. Flange connection dimension can vary $\pm .12$ inch.
 3. Do not use for construction unless certified.
 4. Dimensions of support structure varies with installation.
 5. For packing and double seal dimensions consult factory.

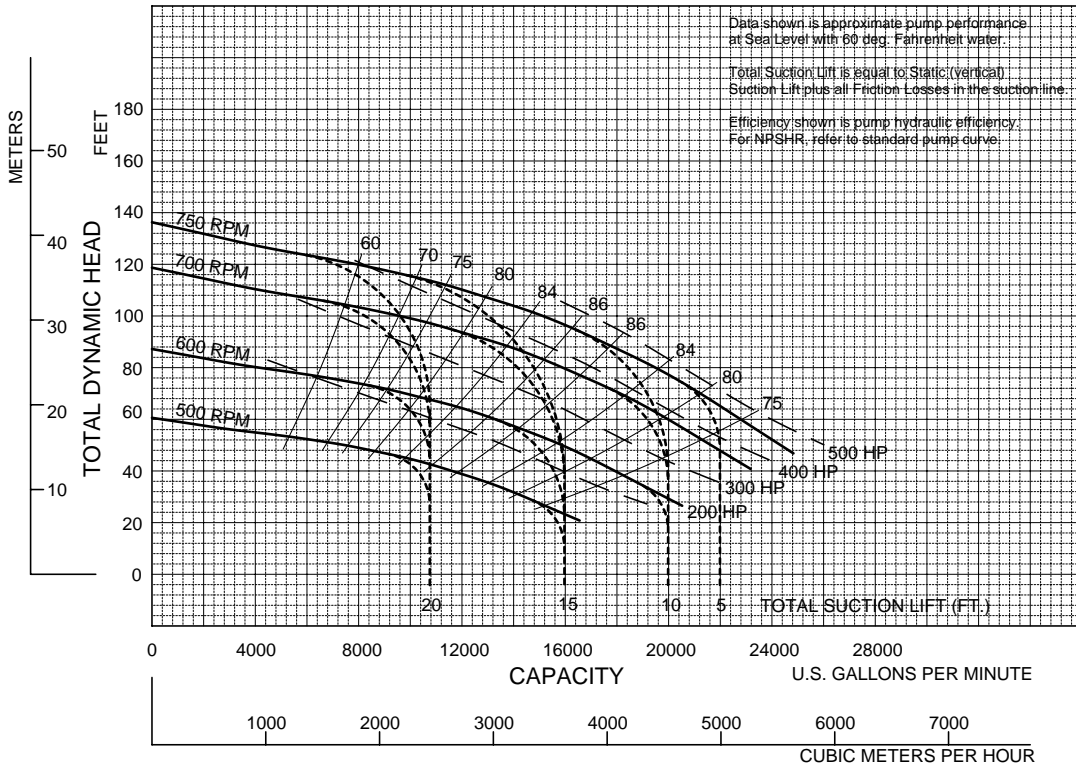
PERFORMANCE CURVES

Feet x .305 = Meters
 Inches x 25.4 = Millimeters
 GPM x .227 = Cubic Meters/Hour
 GPM x 3.785 = Liters/Minute
 HP x .746 = KW

Speed	Impeller Dia.	Style	Solids Dia.	N _S	Suction	Discharge	No. vanes
VARIOUS	28"	ENCLOSED	5.0"	4000	24"	20"	4

SINGLE VOLUTE

MOUNTING CONFIG.: F



Performances shown are for cool water, frame mounted configuration with Cyclosea®. Other liquids, seal arrangements or mounting configurations may require performance adjustments.
 Add 1.5 HP for belt driven diaphragm vacuum pump. Performance curve does not include discharge check valve losses.