

AVAILABLE MOUNTING CONFIGURATIONS

2.5VH-CC CLOSE-COUPLED

OPERATING LEVELS

| | | |
|-------------------|----------|-------------------------|
| MIN FLOW | 75 GPM | 17.3 m ³ /h |
| MAX FLOW | 620 GPM | 142.6 m ³ /h |
| DISCHARGE SIZE | 2.5" | 64 mm |
| SUCTION SIZE | 3" | 76 mm |
| MAX IMPELLER DIA. | 8" | 20.3 cm |
| SOLIDS HANDLING | .50" | 12.7 mm |
| MAX SPEED | 3600 RPM | 3600 RPM |
| MAX PRESSURE | 175 PSI | 1207 kPa |
| SHUT-OFF HEAD | 250' | 76.2 m |
| BEP HEAD | 215' | 65.5 m |
| BEP FLOW | 425 GPM | 97.8 m ³ /h |
| BEP | 78% | 78% |



A typical picture of the pump is shown. Please contact Gemstone Pump Company for further details. All information is approximate and for general guidance only.

The 2.5VH pump is designed with Gemstone's renowned quality and durability. It features a 2.5" discharge, 3" suction, tangential volute and enclosed impeller. A type 21 single mechanical seal is standard, with Buna-N elastomers, stainless steel hardware and silicon carbide vs. silicon carbide seal faces. The 2.5VH comes standard with an open drip-proof motor that operates between 1800 and 3600 RPM; other motor options are available including TEFC and others.

- Standard iron construction with stainless shaft sleeve
- Back pull-out design
- Replaceable suction wear ring and shaft sleeve
- High efficiency hydraulics
- Low operating costs
- Two-year warranty
- Other mechanical seal options available
- Flanged connections

| PARTS | STANDARD MATERIAL |
|---------------------|-----------------------------------|
| WEAR RING | DUCTILE IRON |
| IMPELLER | CAST IRON |
| VOLUTE CASING | CAST IRON |
| SHAFT | CARBON STEEL |
| SHAFT SLEEVE | 303 STAINLESS STEEL |
| BACKPLATE / BRACKET | CAST IRON |
| MECHANICAL SEAL | T-21, BUNA, SILICON CARBIDE FACES |
| MOTOR | ODP W/ 1.15 SF |



AGRICULTURE



FOOD



INDUSTRIAL



MINING



MUNICIPAL



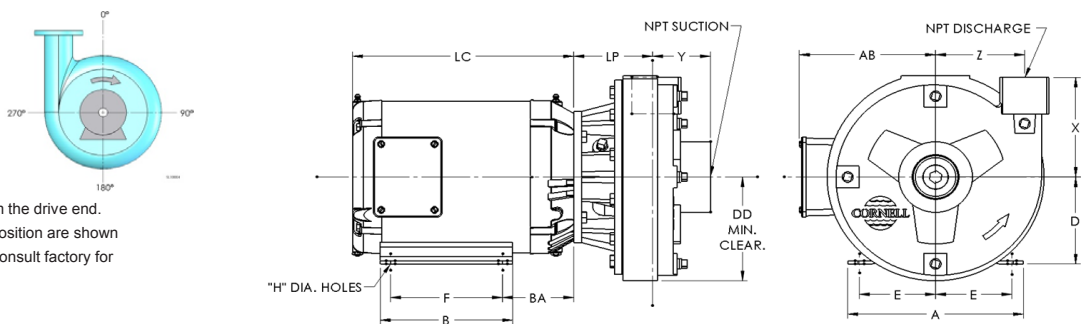
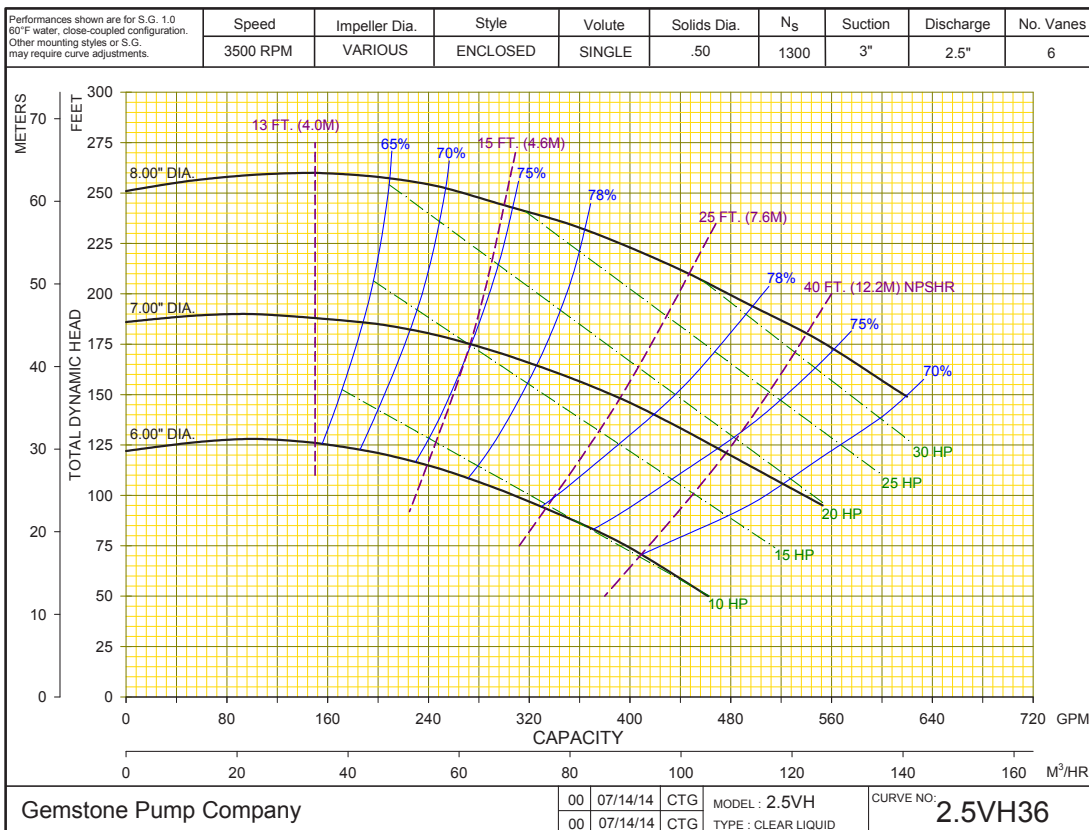
OIL & GAS



REFRIGERATION



RENTAL



NOTES:

Discharge positions are viewed from the drive end. Standard increments of discharge position are shown in the chart below (DISCH INCR). Consult factory for other discharge positions.

| PUMP DIMENSIONS* | | | | | | | | | |
|------------------|------------|-------|--------------|---------|----|----|----|----|----|
| MODEL | CONNECTION | | DISCH. INCR. | AK DIM. | DD | X | Y | Z | LP |
| | DISCH. | SUCT. | | | | | | | |
| 2.5VH | 2½ FLG | 3 FLG | 90° | 4.5 | 5¾ | 7¼ | 2¼ | 4⅞ | 4⅞ |
| | 2½ FLG | 3 FLG | 90° | 8.5 | 5¾ | 7¼ | 2¼ | 4⅞ | 4⅞ |
| | 2½ FLG | 3 FLG | 90° | 8.5 | 5¾ | 7¼ | 2¼ | 4⅞ | 5½ |
| | 2½ FLG | 3 FLG | 90° | 12.5 | 5¾ | 7¼ | 2¼ | 4⅞ | 5½ |

*Consult Factory for Motor Dimensions