

**GEMSTONE PUMP COMPANY**

75 - 250 GPM

**2 WH**

75 - 200 Feet TDH

**STANDARD SPECIFICATION****Discharge** - 2 inch threaded discharge**Suction** - 2.5 inch threaded suction**Impeller** - Enclosed cast iron**Volute** - Right hand tangential discharge, four positions **Mechanical Seal or Traditional Packing**

- Single type 1 carbon ceramic mechanical seal:

Cycloseal® design, run-dry available

**Footprint** - Matches Gemstone's historical 2W**Materials of Construction**

- Cast iron bronze fitted
- Other materials available

**PURCHASE OPTIONS**

- **Complete Pump** Fully assembled at the factory Ready to go to the field
- **Pump End Kit** Finished components
  - PrePainted Easy assembly
  - Common tools – Simple instructionsObtain drives locally or through Gemstone

**MOUNTING OPTIONS**

- **Close Coupled Electric** Standard JP motor shaft
  - Standard Efficiency – Gemstone's Energy Efficient Design
- **Frame Mount**  
Gemstone F5
- **Engine Bracket** Gemstone's EM5 (SAE 5)  
Gemstone's EM309 (SAE 5)

**FEATURES & BENEFITS**

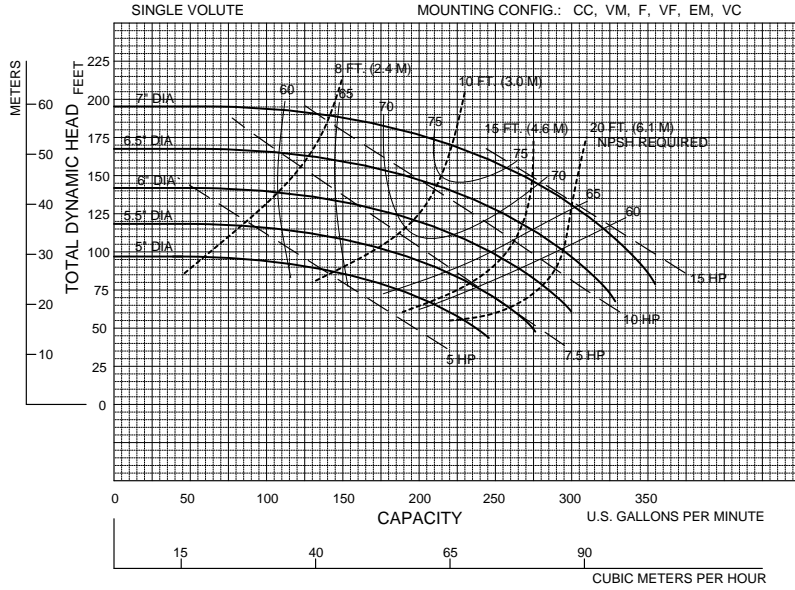
- **Cornell's Tradition of Excellence:**
  - **Highest Quality Products • Experience**
    - Over 50 years in the centrifugal pump business
  - **Optimum Hydraulics**
    - In house engineering staff and test lab facilities •
  - **Strong Local Dealer Support**
    - Our agricultural products are sold only through authorized dealerships
    - Dealerships provide full service to customers from sales to replacement parts
    - Dealers maintain and improve their knowledge at educational activities like Gemstone's "Pump School"
- **Economically Priced:**
  - **Component Design**
    - Efficient manufacturing through increased volume of common parts •
  - **Versatility**
    - The ability to mix and match components reducing local inventory of both parts and wholegoods with a wide variety of pumps and mounting configurations for the customer
- **Exceptional Design: •**
  - **Efficiency**
    - Effectively converts energy into fluid flow and pressure •
  - **Long Product Life**
    - Thick walled castings
    - Heavy duty shafts
    - 20,000 hour bearings
    - Replaceable wear rings and shaft sleeves
    - Reduced thrust load through design and balance lines where appropriate

# PERFORMANCE CURVES

**2 WH  
3600 RPM**

Speed	Impeller Dia.	Style	Solids Dia.	N <sub>S</sub>	Suction	Discharge	No. vanes
3525	VARIOUS	ENCLOSED	.34"	1173	2.5"	2"	5

Performances shown are for cool water, close-coupled electric configuration with packing. Other mounting styles or liquids may require horsepower and/or performance adjustments.



**Note:**  
Curves also available in 1800 and various RPM

2

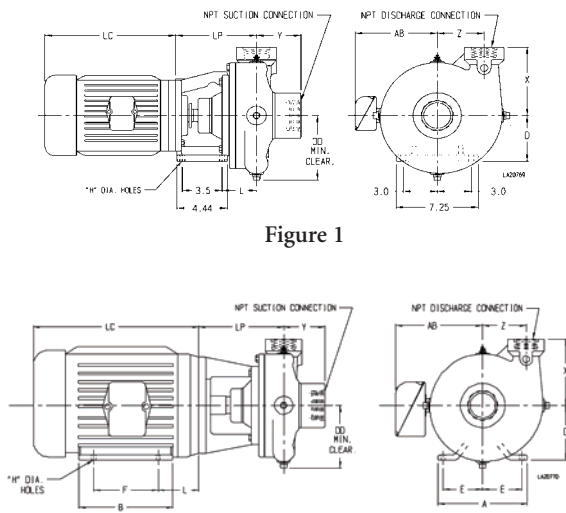


Figure 1

Figure 2

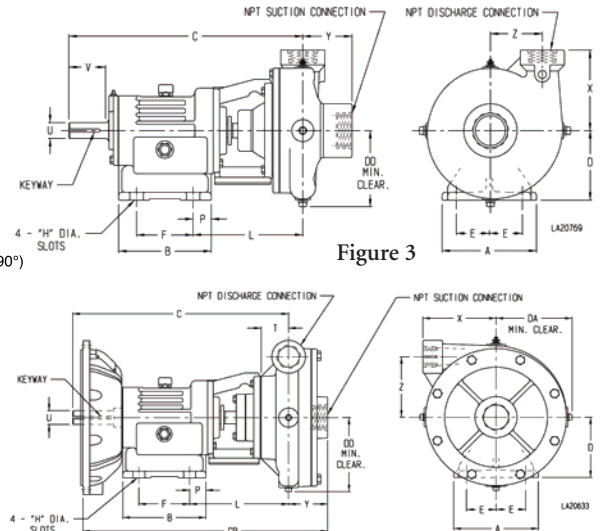
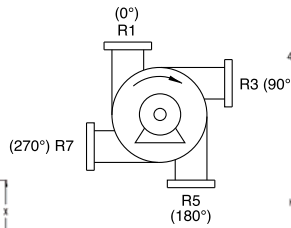


Figure 3

Figure 4

## PUMP DIMENSIONS

MOUNT	AK	Fig.	A	B	C	CP	D	DA	DD	E	F	H	L	P	T	U	V	X	Y	Z	LP	KEYWAY
CC	4.5	1	-	-	-	-	-	-	6.5	-	-	-	3.09	-	-	-	-	5.12	3.91	4.12	7.18	-
	8.5	2	-	-	-	-	-	-	6.5	-	-	-	-	-	-	-	-	5.12	3.91	4.12	8	-
F5	-	3	7.5	7.36	22.53	-	5.5	-	6.5	2.62	4.5	0.56	8.78	1.44	-	1.25	3	5.12	3.91	4.12	-	.25 x .12
EM5	-	4	7.5	7.36	18.62	22.14	5.5	6.5	6.5	2.62	4.5	0.56	8.78	1.44	-	1.25	-	5.12	3.91	4.12	-	.25 X .12
EM309	-	4	-	-	18.25	20.77	-	-	6.5	-	-	-	-	-	2.37	1.25	-	5.12	3.91	4.12	-	.25 X .12

## MOTOR DIMENSIONS

MOTOR FRAME	AK DIM.	A	B	D	E	F	H	AB	BA	LC
143-5	4.5	6.5	5.94	3.5	2.75	5	0.34	5.62	2.88	10
182-3	4.5	8.62	6.5	4.5	3.75	5.5	0.41	6.75	3.5	12.25
	8.5	8.62	6.5	4.5	3.75	5.5	0.41	6.75	3.5	12.25
213-5	8.5	9.5	8	5.25	4.25	7	0.41	7.94	4.5	13.69
254-6	8.5	11.25	11.25	6.25	5	10	0.53	9.5	5	17.94

Gemstone Pump Company