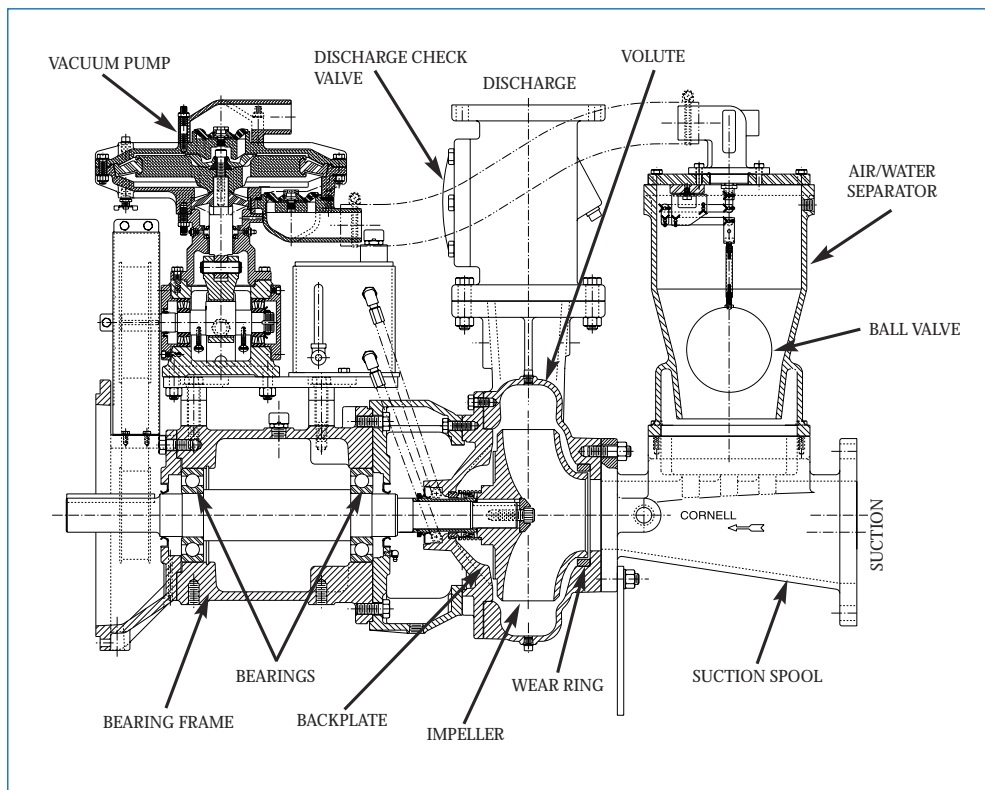


# GEMSTONE PUMP COMPANY

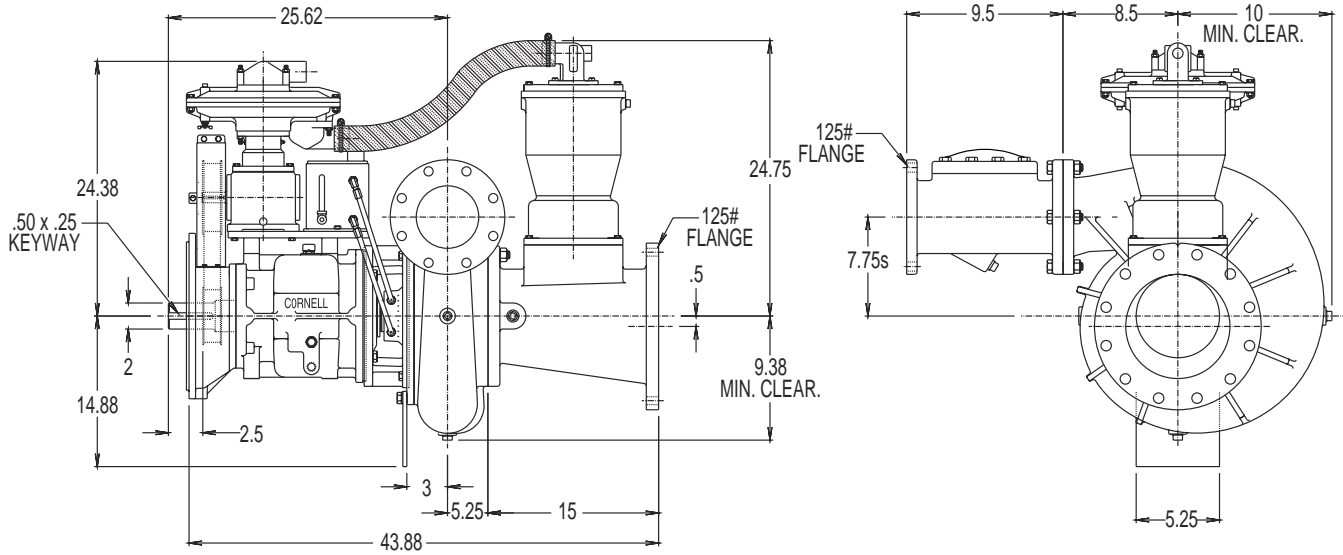
## Model 3RC-EM Redi-Prime®

### PUMP SPECIFICATIONS

- **Size:** 3RC - 3" discharge x 6" suction with 125# cast iron flanges.
- **Casing:** Cast Iron.
- **Impeller:** Enclosed - 7 vane. Handles .5" diameter solids.
- **Wear Rings:** Replaceable. (Double wear rings available).
- **Seal:** Gemstone's patented Cycloseal® design with Run-Dry oil lubrication system. John Crane T-2 single mechanical seal with Viton® elastomers, stainless steel hardware and tungsten- vs. silicon-carbide seal faces for abrasion resistance.
- **Check Valve:** SwingFlex® Val-Matic®.
- **Shaft Sleeve:** Heat treated 416 stainless steel.
- **Bearings:** Heavy duty, grease lubricated, deep groove ball bearings, with a minimum of 50,000 hours bearing life.
- **Hardware:** Stainless steel float linkage. A positive seating vacuum priming valve prevents water carry-over to the vacuum, pump or atmosphere.
- **Vacuum Pump** - 50 SCFM Maximum.



## PUMP DIMENSIONS

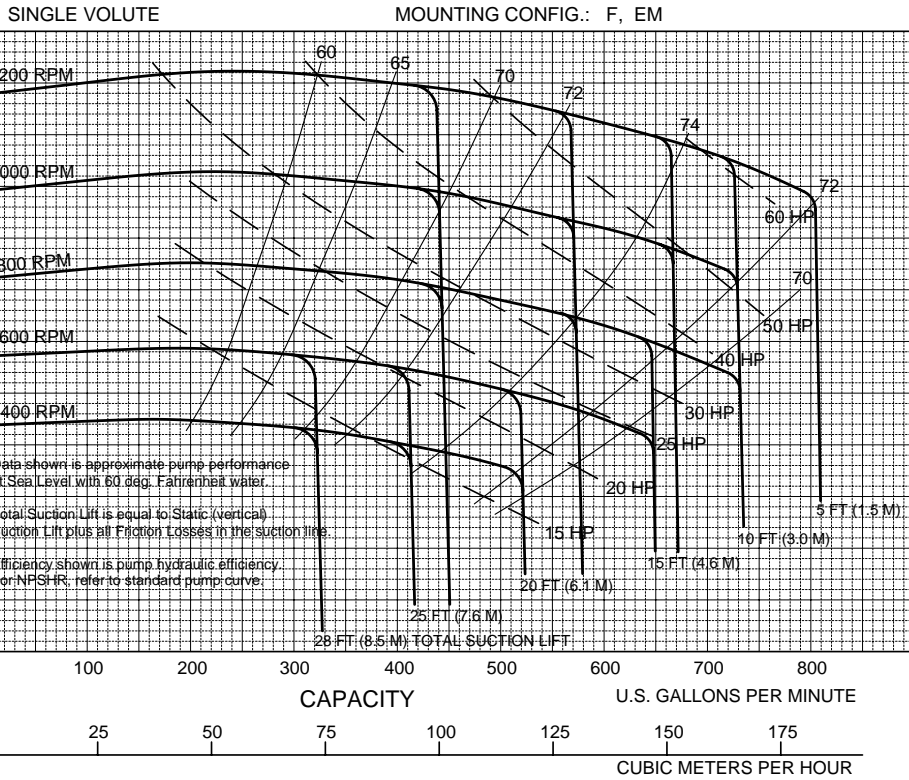


- NOTES:**
1. Flange connection dimension can vary  $\pm .12$  inch.
  2. Do not use for construction unless certified.

## PERFORMANCE CURVES

Feet x .305 = Meters  
 Inches x 25.4 = Millimeters  
 GPM x .227 = Cubic Meters/Hour  
 GPM x 3.785 = Liters/Minute  
 HP x .746 = KW

Speed	Impeller Dia.	Style	Solids Dia.	N <sub>S</sub>	Suction	Discharge	No. vanes
VARIOUS	12.88"	ENCLOSED	.50"	915	6"	3"	7



Performances shown are for cool water, frame mounted configuration with CycloSeal®. Other liquids or mounting configurations may require performance adjustments.  
 Add 1.5 HP for belt driven diaphragm vacuum pump. Performance curve does not include discharge check valve losses.

2/13/01

**Gemstone Pump Company**

**ISO9001:2000 CERTIFIED**