

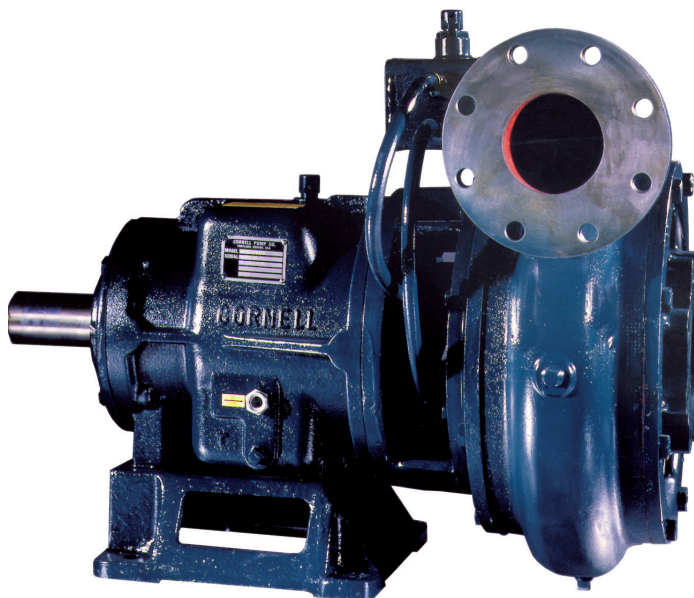
**\*NOW AVAILABLE IN CD4MCu**

**AVAILABLE MOUNTING CONFIGURATIONS**

- 4414T-F FRAME MOUNT
- 4414T-RP-F REDI-PRIME FRAME MOUNT
- 4414T-EM ENGINE MOUNT
- 4414T-RP-EM REDI-PRIME ENGINE MOUNT
- 4414T-VC VERTICAL COUPLED
- 4414T-VF VERTICAL FRAME MOUNT

**OPERATING LEVELS**

<b>MIN FLOW</b>	200 GPM	45.4 m <sup>3</sup> /h
<b>MAX FLOW</b>	1300 GPM	295 m <sup>3</sup> /h
<b>DISCHARGE SIZE</b>	4"	102 mm
<b>SUCTION SIZE</b>	4"	102 mm
<b>SOLIDS HANDLING</b>	3"	76.2mm mm
<b>MAX SPEED</b>	1800 RPM	1800 RPM
<b>SHUT-OFF HEAD</b>	252'	76.8 m
<b>BEP HEAD</b>	175'	53 m
<b>BEP FLOW</b>	1300 GPM	295 m <sup>3</sup> /h
<b>BEP PERCENT</b>	78%	78%



A typical picture of the pump is shown. Please contact Gemstone Pump Company for further details. All information is approximate and for general guidance only.

PARTS	STANDARD MATERIAL (ALL IRON)	CD4MCU
<b>WEAR RING</b>	CAST IRON	CD4MCU
<b>IMPELLER</b>	CAST IRON	CD4MCU
<b>VOLUTE</b>	DUCTILE IRON	CD4MCU
<b>SHAFT</b>	STRESSPROOF STEEL	17-4PH
<b>SHAFT SLEEVE</b>	416 STAINLESS STEEL	CD4MCU
<b>BACKPLATE</b>	CAST IRON	CD4MCU
<b>MECHANICAL SEAL</b>	TUNGSTEN CARBIDE VS. SILICON CARBIDE	TUNGSTEN CARBIDE VS. SILICON CARBIDE
<b>BEARING FRAME</b>	CAST IRON	CAST IRON

The 4414T pump is designed with Gemstone's renowned quality and durability. It features a 4" discharge, 4" suction, and enclosed impeller. Available in All Iron or CD4MCu materials. Gemstone's patented Cycloseal® design is standard, with a Type 1 or 2 single mechanical seal with Buna-N elastomers, stainless steel hardware and tungsten carbide vs. silicon carbide seal faces for abrasion resistance.

- High Efficiency
- Cycloseal Sealing System
- Low NPSHr
- Robust Construction
- Long Bearing life • Can be fitted with cutters without dimension changes
- Two year warranty



AGRICULTURE



FOOD



INDUSTRIAL



MINING



MUNICIPAL



OIL & GAS



REFRIGERATION



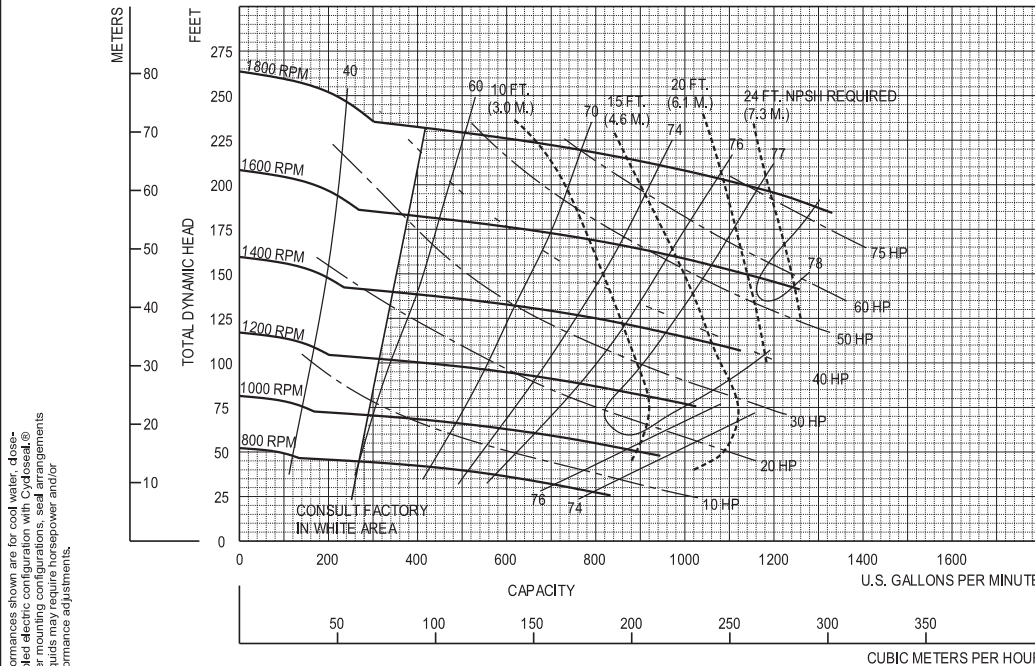
RENTAL

# 4414T-F16

Speed	Impeller Dia.	Style	Solids Dia.	N <sub>S</sub>	Suction	Discharge	No. vanes
VARIOUS	14"	ENCLOSED	3"	1310	4"	4"	2

Feet x .305 = Meters  
 Inches x 25.4 = Millimeters  
 GPM x .227 = Cubic Meters/Hour  
 GPM x 3.785 = Liters/Minute  
 HP x .746 = KW

SINGLE VOLUTE MOUNTING CONFIG.: CC, VM, F, VF, EM, VC



Performances shown are for cool water, close-completed electric configuration with Cydseal® mounting configurations, seal arrangements or fluids, and power and/or performance adjustments.

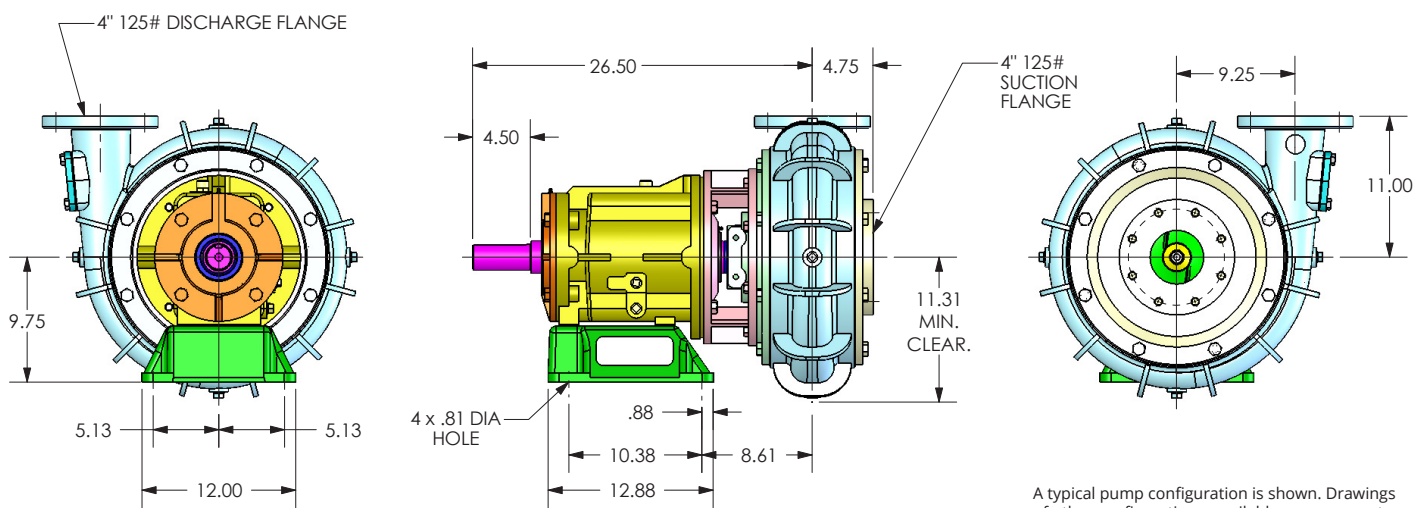
3/18/13

Gemstone Pump Company

4414T - VARIOUS RPM

NEW PAGE

4414TVA



A typical pump configuration is shown. Drawings of other configurations available upon request.