

**GEMSTONE PUMP COMPANY****350 - 2100 GPM   Model 4614M   50 - 450 Feet TDH****STANDARD SPECIFICATION****Discharge** - 4 inch discharge**Suction** - 6 inch suction**Impeller** - Semi-open, threaded, 8 vane: handles 1" solids**Volute** - Right hand centerline discharge, eight positions**Mechanical Seal or Traditional Packing** - Single tungsten silicon mechanical seal: Cycloseal® design, Run-Dry™ available**Materials of Construction**

- Ductile iron casing, ductile iron impeller
- Other materials available

**MOUNTING OPTIONS**

- **Close Coupled Electric**
  - Gemstone's Energy Efficient Design
- **Frame Mount**
  - Gemstone F16
  - Gemstone F18
  - Gemstone F18DB
- **Engine Bracket**
  - Gemstone EM16 (SAE 1, 2, 3, 4)
  - Gemstone EM18 (SAE 1, 2, 3, 4)
  - Gemstone EM18DB (SAE 1, 2, 3, 4)
- **Oil Filled Bearing Frame**
  - Available
- **Redi-Prime Self Priming System**
  - Available

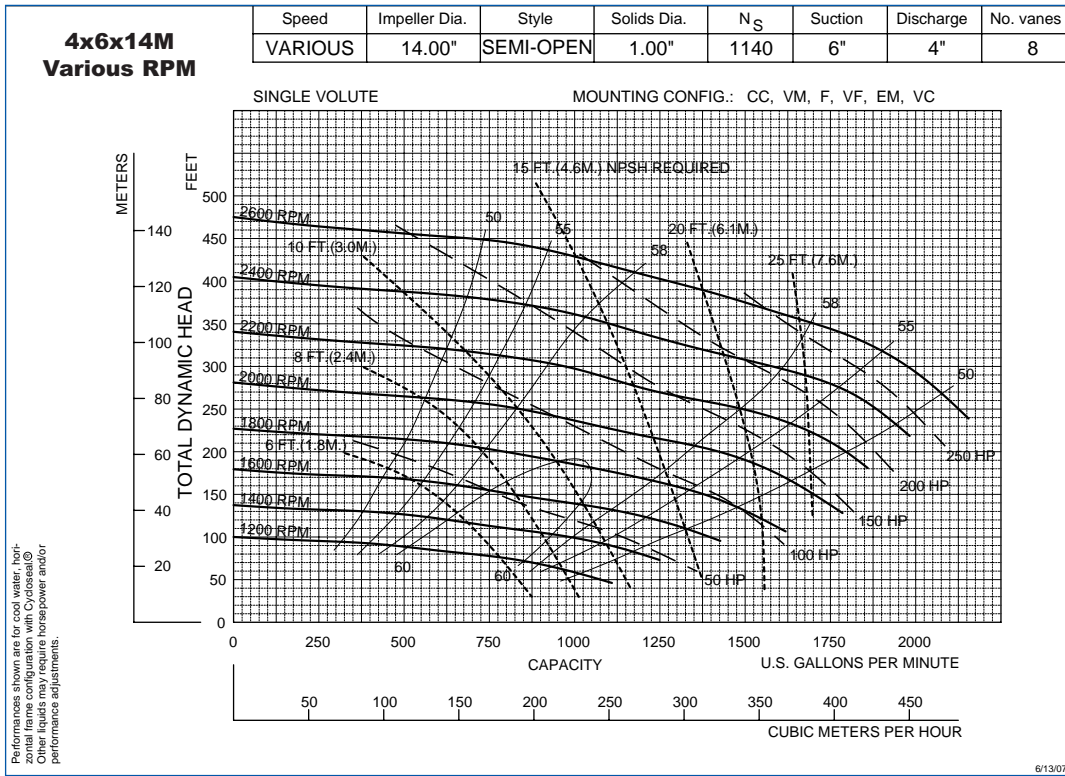
**AVAILABILITY**

- **Specialty Pump**
  - Gemstone Pump Company will design and manufacture a variation of this pump specifically designed for your application

**FEATURES & BENEFITS**

- **Cornell's Tradition of Excellence:**
  - **Highest quality products**
  - **Experience**
    - Over 60 years in the centrifugal pump business
  - **Optimum Hydraulics**
    - In house engineering staff and test lab facilities
  - **Strong Local Dealer Support**
    - Our agricultural products are sold only through authorized dealerships
    - Dealerships provide full service to customers from sales to replacement parts
    - Dealers maintain and improve their knowledge at educational activities like Gemstone's "Pump School"
- **Exceptional Design:**
  - **Efficiency**
    - Effectively converts energy into fluid flow and pressure
  - **Long Product Life**
    - Thick walled castings
    - Heavy duty shafts
    - 20,000 hour minimum bearing calculation
    - Replaceable wear rings and shaft sleeves

# PERFORMANCE CURVES



**Note:** Curves also available in 1800 and 1200 RPM

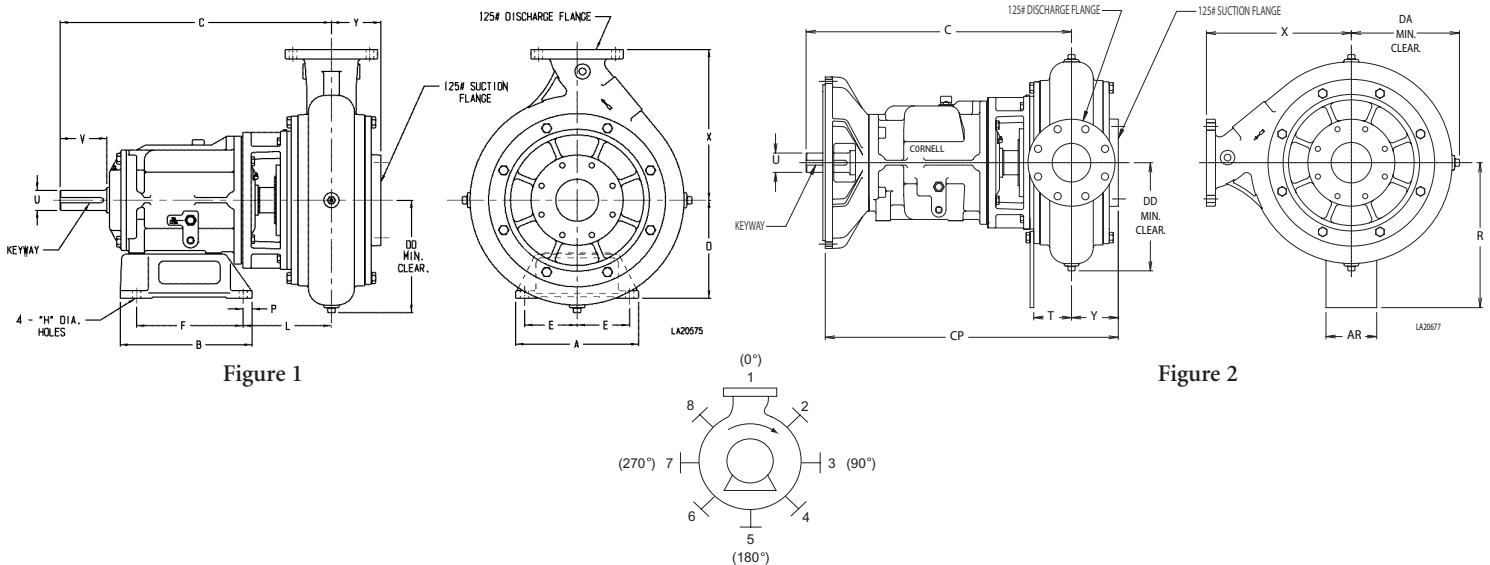


Figure 1

Figure 2

## PUMP DIMENSIONS

| MOUNT | Fig. | A  | AR | B     | C     | CP    | D    | DA    | DD    | E    | F     | H    | L   | LP | P    | R     | T   | U   | V   | X  | Y    | Z    | KEYWAY    |
|-------|------|----|----|-------|-------|-------|------|-------|-------|------|-------|------|-----|----|------|-------|-----|-----|-----|----|------|------|-----------|
| F16   | 1    | 12 | -  | 12.88 | 25.49 | -     | 9.75 | -     | 11.25 | 5.12 | 10.38 | 0.81 | 7.6 | -  | 0.88 | -     | -   | 2   | 4.5 | 16 | 3.27 | -    | .50 X .25 |
| F18   | 1    | 12 | -  | 12.88 | 26.47 | -     | 10.5 | -     | 11.25 | 5.12 | 10.38 | 0.81 | 8.1 | -  | 0.88 | -     | -   | 2.5 | 4.5 | 16 | 3.27 | -    | .62 X .31 |
| EM16  | 2    | -  | 8  | -     | 25.49 | 26.75 | -    | 11.25 | 12    | -    | -     | -    | -   | -  | -    | 14.41 | 3.3 | 2   | -   | 16 | 3.27 | 9.25 | .50 X .25 |
| EM18  | 2    | -  | 8  | -     | 26.47 | 27.75 | -    | 11.25 | 12    | -    | -     | -    | -   | -  | -    | 14.41 | 3.3 | 2.5 | -   | 16 | 3.27 | 9.25 | .62 X .31 |