



GEMSTONE PUMP COMPANY

Model 4NC Chopper Pump

STANDARD SPECIFICATIONS

Cutter Bar - T1 tool steel heat treated to minimum 60 Rockwell C Hardness.

Casing - all ductile iron

Impeller - open, cast steel AISI 8630

Shaft - AISI 4142 heat treated to minimum 60 Rockwell C Hardness.

Thrust Bearings - Back-to-back angular contact ball type.

Radial Bearings - Single ball type.

Mechanical Seal - John Crane single, type 2 Tungsten Carbide vs. Silicon Carbide.

Optional oil lubrication system with reservoir.

Shaft Sleeve - stainless steel, AISI 416

Flanges - 125 lbs.

PUMP CAPABILITY

- Ideally suited for chopping solids
- 30-200 TDH available
- Flows 0-1500 GPM

FEATURES & BENEFITS

- Available in a variety of mounting configurations including:
 - Horizontal Frame
 - Vertical Frame
 - Submersible
- Abrasive resistant construction
- Patented Cycloseal® design (patent #5489187)
- Two year warranty

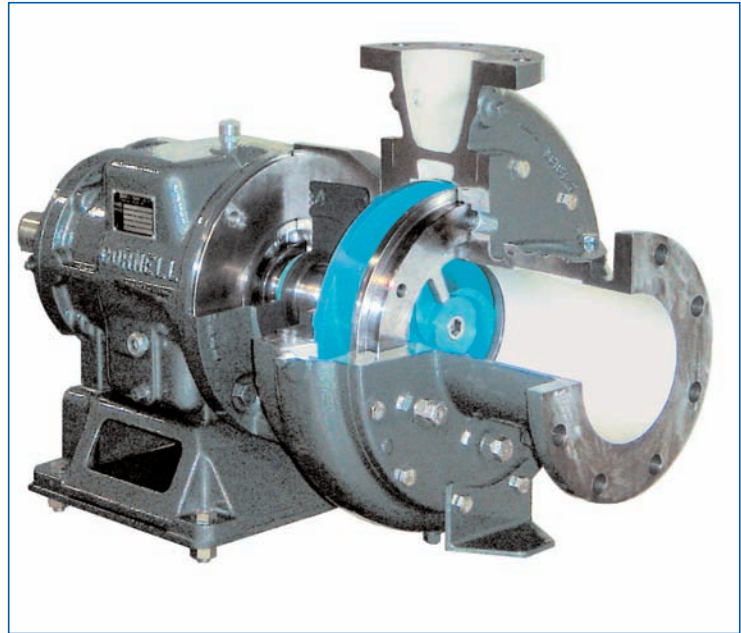
TYPICAL APPLICATIONS

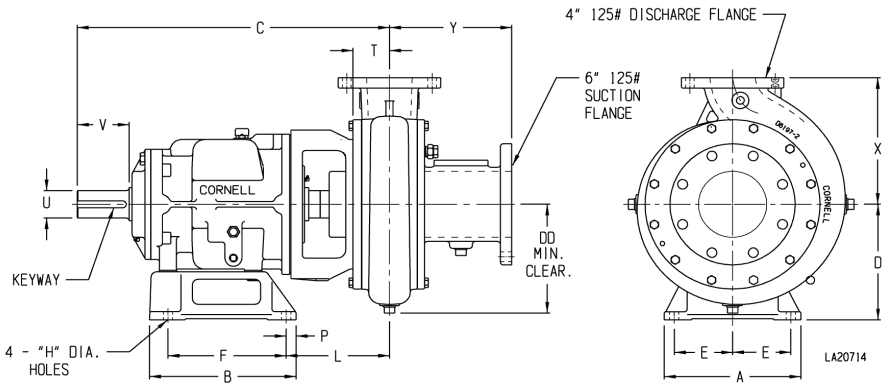
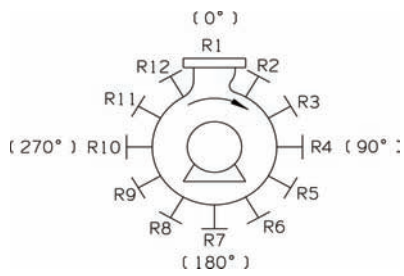
Industrial

- Food Processing
- Wood Products
- Automotive
- Mining
- Sand and gravel

Waste Water

- Lift Stations
- Septage Receiving
- Sludge Transfer and Recirculation
- Digester Scum Blankets
- Clarifier Scum





NOTES :

- A. Discharge positions viewed from the drive end.
- B. Consult factory for other discharge positions.

NOTES :

- 1. "V" Dimension is maximum useable shaft.
- 2. Frame mounting foot thickness is .75".
- 3. Flange connection dimension can vary ± .12 inch.
- 4. Do not use for construction unless certified.

PUMP DIMENSIONS

Model	Frame	Disch.	Suct.	A	B	C	D	DD	E	F	H	L	P	T	U	V	X	Y	Keyway
4NC	F18	4	6	12.00	12.88	27.44	10.5	10.5	5.12	10.38	0.81	9.08	0.88	3.21	2.50	4.50	11.50	10.75	.62 x .31

4 NC

