



GEMSTONE PUMP COMPANY

Delta™ Model 4NHDH-F

STANDARD SPECIFICATION

Size: 4NHDH - 4" discharge x 4" suction with 125# cast iron flanges.

Impeller - Semi-open, 2 vane: handles 3" solids

Volute - Right hand tangential and centerline discharge, eight positions

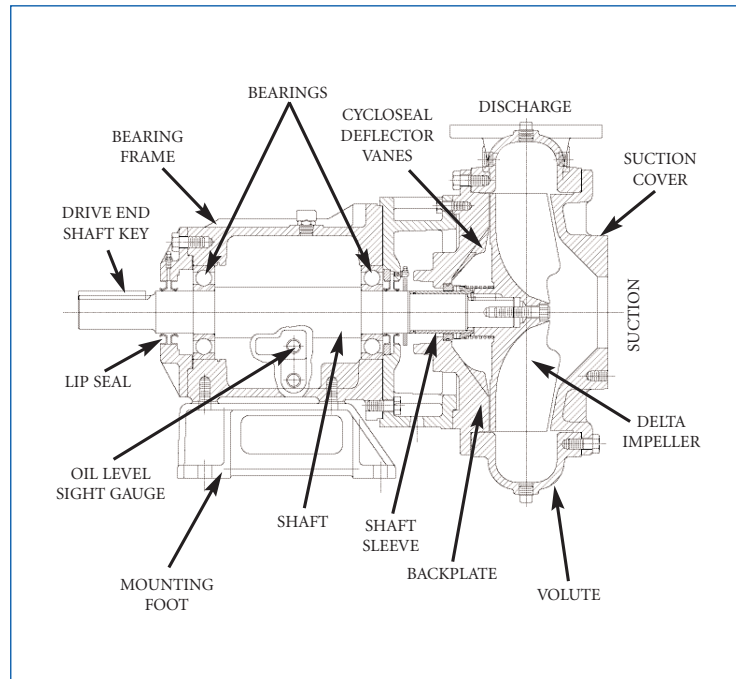
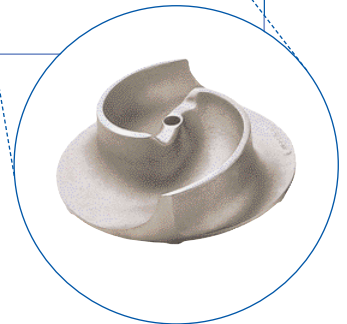
Mechanical Seal or Traditional Packing - Single, type 2, silicon carbide/tungsten carbide mechanical seal: Cycloseal® design, Run-dry available

Materials of Construction

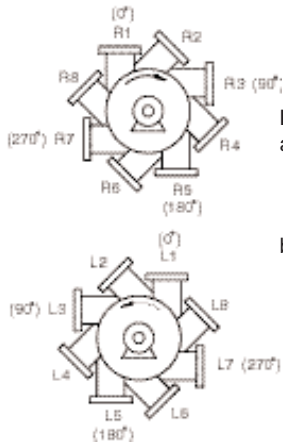
- Cast iron casing, cast iron impeller
- Other materials available, including corrosion resistant materials

FEATURES & BENEFITS

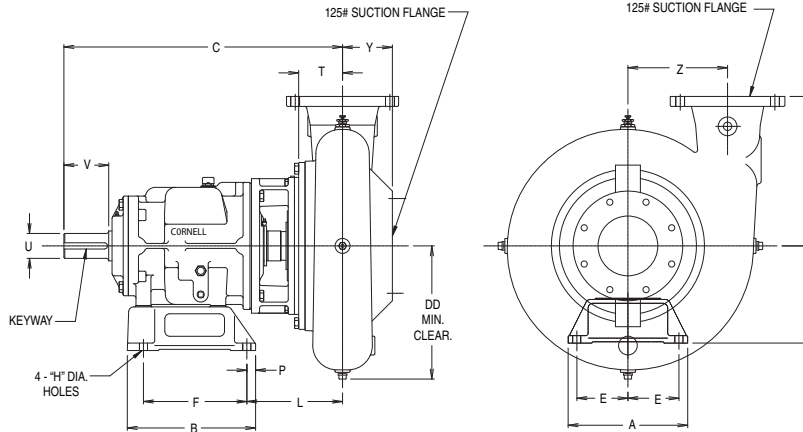
- **Semi-open Impeller**
 - handles difficult to pump liquids, rags, wet straw and other difficult to pump slurries and sludges that other pumps can not handle.
 - smooth vanes prevent hang-up or "pinning" of stringy materials.
 - handles slurries and sludges with abrasive particles.
 - no wear rings are required.
 - no axial clearance adjustments are required.
 - aids in passing solids through the pump and breaking up larger solids.
 - resists ragging
- **TDH to 225 ft., speeds to 1800 RPM or more**
 - handles high head situations and flow rates to 1,500 GPM.
- **High Efficiencies**
 - due to higher efficiencies, these pumps can often provide significant energy savings and lower operating costs.
- **Impeller Options**
 - available in 2 or 3 vane impeller design.
- **Mounting Options**
 - available in a variety of mounting configurations.



PUMP DIMENSIONS



- NOTES:**
- Discharge positions viewed from drive end.
 - Consult factory for other discharge positions.



- NOTES:**
- "V" dimension is maximum useable shaft.
 - Mounting foot thickness is .75".
 - Flange connection dimension can vary $\pm .12$ inch.
 - Do not use for construction unless certified.

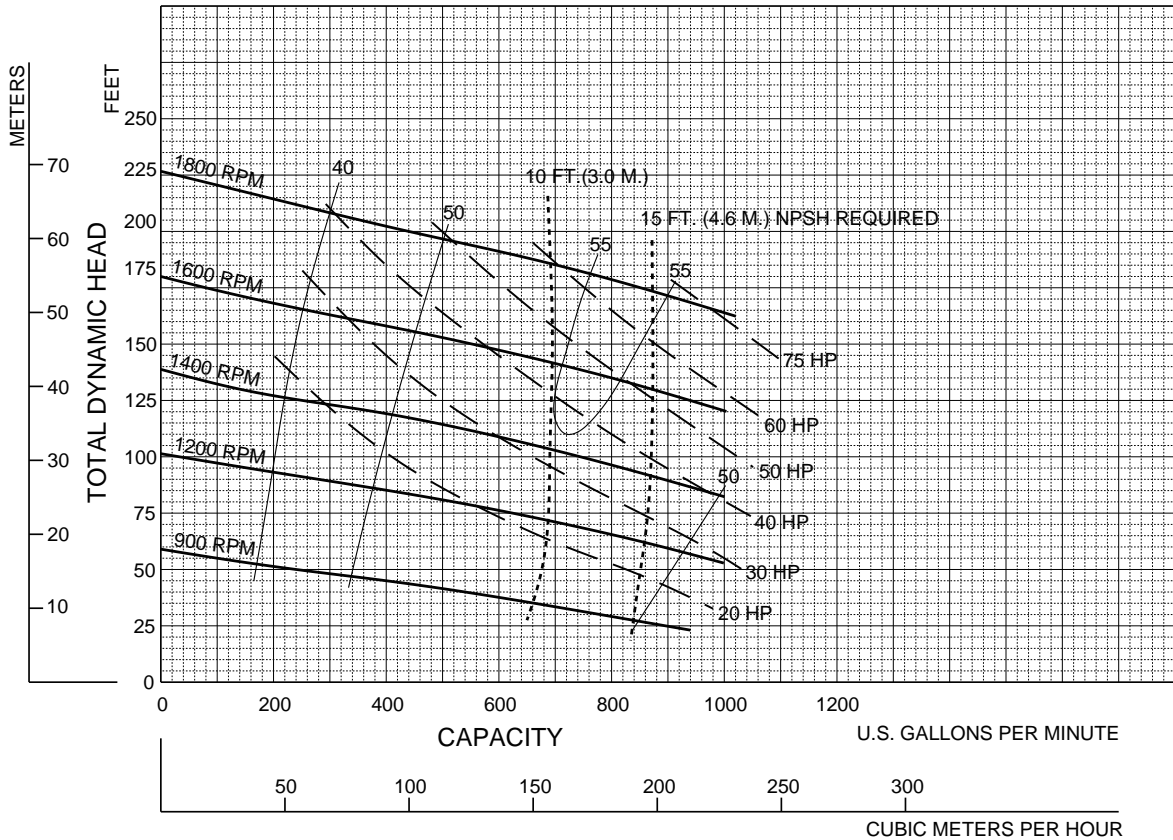
Model	Frame	CONNECTION		A	B	C	D	DD	E	F	H	L	P	T	U	V	X	Y	Z	KEYWAY
		Disch.	Suct.																	
4NH4H	F16	4	4	12	12.88	26.47	9.75	11.75	5.12	10.38	0.81	8.59	0.88	3.91	2	4.5	11	4.84	9.25	.50 x .25

PERFORMANCE CURVES

Feet x .305 = Meters
 Inches x 25.4 = Millimeters
 GPM x .227 = Cubic Meters/Hour
 GPM x 3.785 = Liters/Minute
 HP x .746 = KW

Speed	Impeller Dia.	Style	Solids Dia.	N _S	Suction	Discharge	No. vanes
VARIOUS	14.0"	SEMI-OPEN	3"	1080	4"	4"	

SINGLE VOLUTE MOUNTING CONFIG.: CC, VM, F, VF, EM, VC



Performances shown are for cool water, close-coupled electric configuration with Cyclostat™ motor. Performance may vary with motor, horsepower and/or performance adjustments.