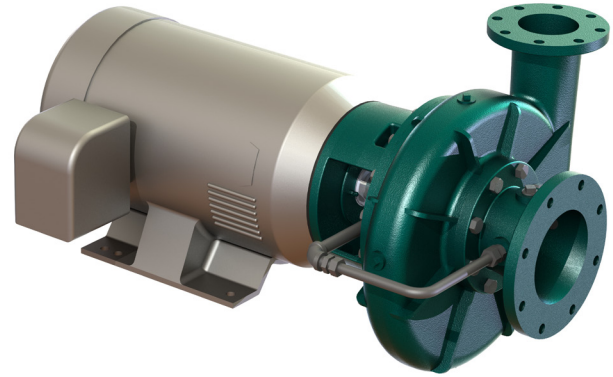


### AVAILABLE MOUNTING CONFIGURATIONS

5H-CC CLOSE COUPLED  
5H-VM VERTICAL CLOSE COUPLED

### OPERATING LEVELS

<b>MIN FLOW</b>	460 GPM	104.5 m <sup>3</sup> /h
<b>MAX FLOW</b>	1890 GPM	429.3 m <sup>3</sup> /h
<b>DISCHARGE SIZE</b>	5"	127 mm
<b>SUCTION SIZE</b>	8"	203.2 mm
<b>SOLIDS HANDLING</b>	.97"	2.5 cm
<b>MAX SPEED</b>	1800 RPM	1800 RPM
<b>SHUT-OFF HEAD</b>	265'	80.8 m
<b>BEP HEAD</b>	220'	67 m
<b>BEP FLOW</b>	1460 GPM	331.6 m <sup>3</sup> /h
<b>BEP PERCENT</b>	83%	83%



A typical picture of the pump is shown. Please contact Gemstone' Pump Company for further details. All information is approximate and for general guidance only.

PARTS	CAST IRON BRONZE FITTED (STANDARD)	ALL IRON
<b>IMPELLER</b>	BRONZE SAE 40 OR SILICON BRONZE	CAST IRON ASTM A48 CL30
<b>VOLUTE</b>	CAST IRON ASTM A48 CL30	CAST IRON ASTM A48 CL30
<b>SHAFT</b>	CARBON STEEL	CARBON STEEL
<b>SHAFT SLEEVE</b>	BRONZE SAE 660	416 STAINLESS STEEL
<b>MOTOR</b>	ODP W/ 1.15 SF	ODP W/ 1.15 SF
<b>WEAR RINGS</b>	BRONZE SAE 660	CAST IRON ASTM A48 CL30
<b>SUCTION SPOOL</b>	CAST IRON ASTM A48 CL30	CAST IRON ASTM A48 CL30
<b>BACKPLATE</b>	CAST IRON ASTM A48 CL30	CAST IRON ASTM A48 CL30
<b>MECHANICAL SEAL (OPTIONAL)</b>	T-1, BUNA, CARBON/CERAMIC/STAINLESS	T-1, BUNA, CARBON/CERAMIC/STAINLESS
<b>PACKING</b>	GRAPHITED ACRYLIC	GRAPHITED ACRYLIC

The 5HH pump is designed with Gemstone's renowned quality and durability. It features a 5" discharge, 8" suction, enclosed impeller, and flanged tangential double volute. Available in all-iron or bronze-fitted materials. Graphited acrylic packing is standard, with Gemstone's patented Cycloseal® available (with type 1 single mechanical seal). Optional motors include TEFC (other options available).

- Standard cast iron bronze fitted construction
- External hydraulic balance line
- Double volute construction
- Back pullout design
- Replaceable hub & suction wear rings
- Replaceable shaft sleeve
- "Shower curtain shield" bearing protection •
- High efficiency hydraulics •
- Low operating costs •
- Two year warranty •
- Other mechanical seal (Cycloseal®) and material options available



AGRICULTURE



FOOD



INDUSTRIAL



MINING



MUNICIPAL



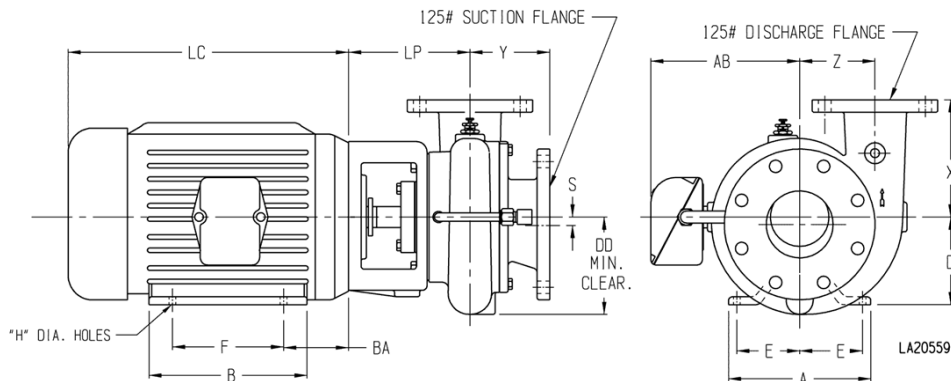
OIL & GAS



REFRIGERATION



RENTAL



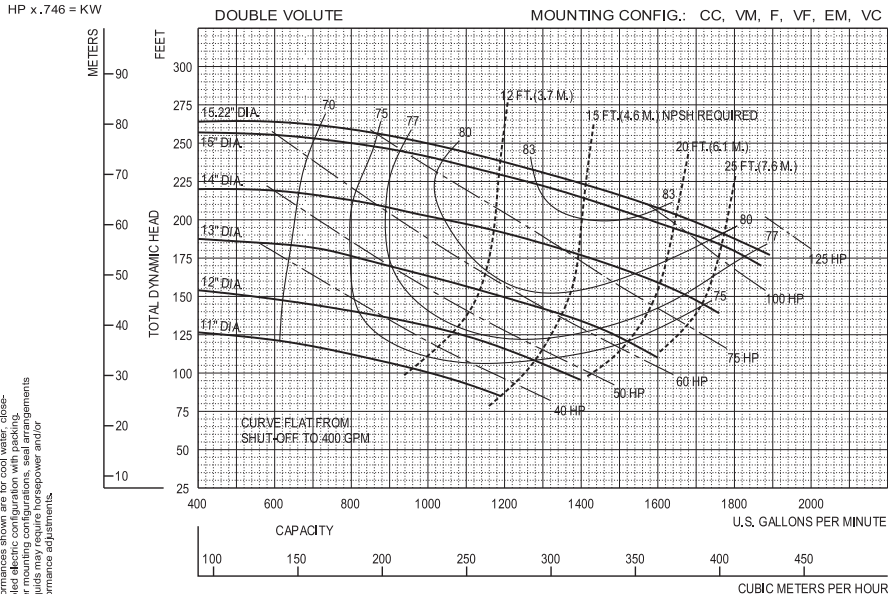
PUMP DIMENSIONS

MODEL	CONNECTION		DISCH. INCR.	AK DIM.	DD	S	X	Y	Z	LP
	DISCH.	SUCT.								
2.5H	2.5	4	90°	8.5	9.62	0.44	11	8.28	7.75	7.66
				12.5	9.62	0.44	11	8.28	7.75	7.66
3HA	3	6	90°	12.5	11.12	0.44	10	8.53	8.5	10.09
3HC	3	6	90°	12.5	11.12	0.44	10	8.53	8.5	10.09
4HC	4	8	90°	12.5	12.62	0.88	11	10.88	9.75	11.19
4HH	4	6	90°	12.5	15	0.44	9.5	8.97	11.25	10.12
5H	5	8	90°	12.5	14.75	0.88	13	9.66	11.62	10.15
				12.5	16.25	0.44	11	10.56	10.25	10.81
5HH	5	8	90°	12.5	14.75	0.44	14	10.18	11.62	10.12
				16.5	14.75	0.44	14	10.18	11.62	10.12
6H	6	8	90°	12.5	17.12	0.44	12	10.43	12	11.13
				16.5	17.12	0.44	12	10.43	12	11.13
6HH	6	8	90°	12.5	16.75	0.75	13	10.41	11.5	11.38
				16.5	16.75	0.75	13	10.41	11.5	11.38

MOTOR DIMENSION

MOTOR FRAME	AK DIM.	A	B	D	E	F	H	AB	BA	LC
213-5	8.5	9.5	8	5.25	4.25	7	0.41	7.94	4.5	13.69
254-6	8.5	11.25	11.25	6.25	5	10	0.53	9.5	5	17.94
284-6	12.5	12.25	12.25	7	5.5	11	0.53	11.37	5	21.31
324-6	12.5	14.25	13.75	8	6.25	12	0.66	12.22	5.5	22.19
364-5	12.5	15.75	14	9	7	12.25	0.66	13.2	6.12	24.31
404-5	12.5	18.5	16.62	10	8	13.75	0.81	16.39	6.88	29.97
444-5	16.5	21.5	19.5	11	9	16.5	0.81	19.06	7.5	31

Speed	Impeller Dia.	Style	Solids Dia.	N <sub>s</sub>	Suction	Discharge	No. vanes
1780	VARIOUS	ENCLOSED	.97"	1250	8"	5"	6



Performances shown are for cool water, close-together impellers. Other mounting configurations, seal arrangements or liquids may require horsepower and/or performance adjustments.

Gemstone Pump Company

5H - 1800 RPM

NEW PAGE

SH18

12/18/74