

### AVAILABLE MOUNTING CONFIGURATIONS

5HH-RP-F REDI-PRIME FRAME MOUNT  
 5HH-F FRAME MOUNT  
 5HH-RP-EM REDI-PRIME ENGINE MOUNT  
 5HH-EM ENGINE MOUNT  
 5HH-VF VERTICAL FRAME MOUNT  
 5HH-VC VERTICAL COUPLED

### OPERATING LEVELS

<b>MIN FLOW</b>	650 GPM	147.6 m <sup>3</sup> /h
<b>MAX FLOW</b>	2950 GPM	669.7 m <sup>3</sup> /h
<b>DISCHARGE SIZE</b>	5"	127 mm
<b>SUCTION SIZE</b>	8"	203 mm
<b>SOLIDS HANDLING</b>	.75"	1.9 cm
<b>MAX SPEED</b>	2000 RPM	2000 RPM
<b>SHUT-OFF HEAD</b>	375'	114.3 m
<b>BEP HEAD</b>	330'	100.6 m
<b>BEP FLOW</b>	2200 GPM	499.4 m <sup>3</sup> /h
<b>BEP PERCENT</b>	85%	85%



A typical picture of the pump is shown. Please contact Gemstone Pump Company for further details. All information is approximate and for general guidance only.

PARTS	CAST IRON BRONZE FITTED (STANDARD)	ALL IRON
<b>IMPELLER</b>	BRONZE SAE 40	CAST IRON ASTM A48 CL30
<b>VOLUTE</b>	CAST IRON ASTM A48 CL30	CAST IRON ASTM A48 CL30
<b>SHAFT</b>	SAE 1144 "STRESSPROOF"	SAE 1144 "STRESSPROOF"
<b>SHAFT SLEEVE</b>	BRONZE SAE 660	416 STAINLESS STEEL
<b>BEARING HOUSING</b>	CAST IRON ASTM A48 CL30	CAST IRON ASTM A48 CL30
<b>WEAR RINGS</b>	BRONZE SAE 660	CAST IRON ASTM A48 CL30
<b>SUCTION SPOOL</b>	CAST IRON ASTM A48 CL30	CAST IRON ASTM A48 CL30
<b>BACKPLATE</b>	CAST IRON ASTM A48 CL30	CAST IRON ASTM A48 CL30
<b>MECHANICAL SEAL (OPTIONAL)</b>	T-1, BUNA, CARBON/CERAMIC/STAINLESS	T-1, BUNA, CARBON/CERAMIC/STAINLESS
<b>PACKING</b>	GRAPHITED ACRYLIC	GRAPHITED ACRYLIC

The 5H pump is designed with Gemstone's renowned quality and durability. It features a 5" discharge, 8" suction, enclosed impeller, and flanged tangential double volute. Available in all-iron or bronze-fitted materials. Graphited acrylic packing is standard, with Gemstone's patented Cycloseal® available (with type 1 single mechanical seal). Grease lubrication standard - oil lubrication optional.

- External hydraulic balance line
- Back pullout design
- Replaceable hub & suction wear rings
- Replaceable shaft sleeve
- High efficiency hydraulics
- Low operating costs
- SAE #1, 2, 3, 4 & 5 •
- Modular bearing frame •
- Oversized shaft and bearings •
- Other mechanical seal (Cycloseal®) and material options available
- Two year warranty



AGRICULTURE



FOOD



INDUSTRIAL



MINING



MUNICIPAL



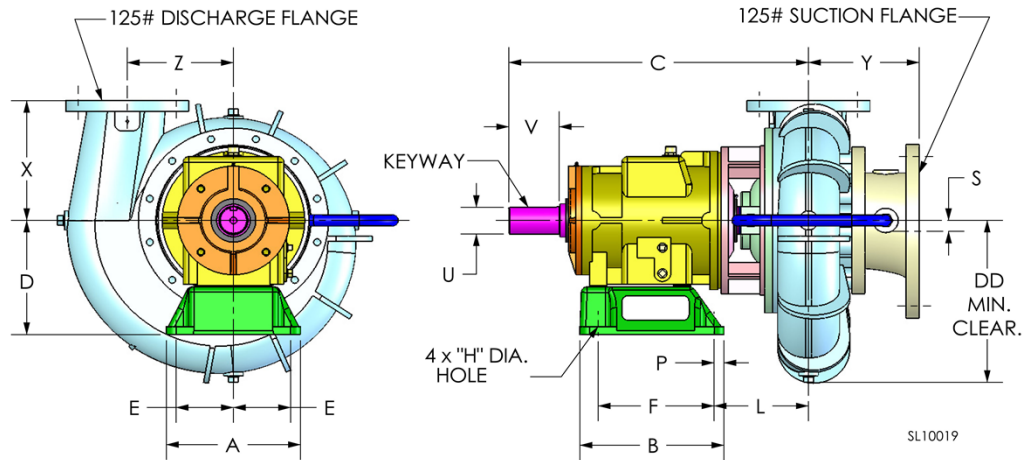
OIL & GAS



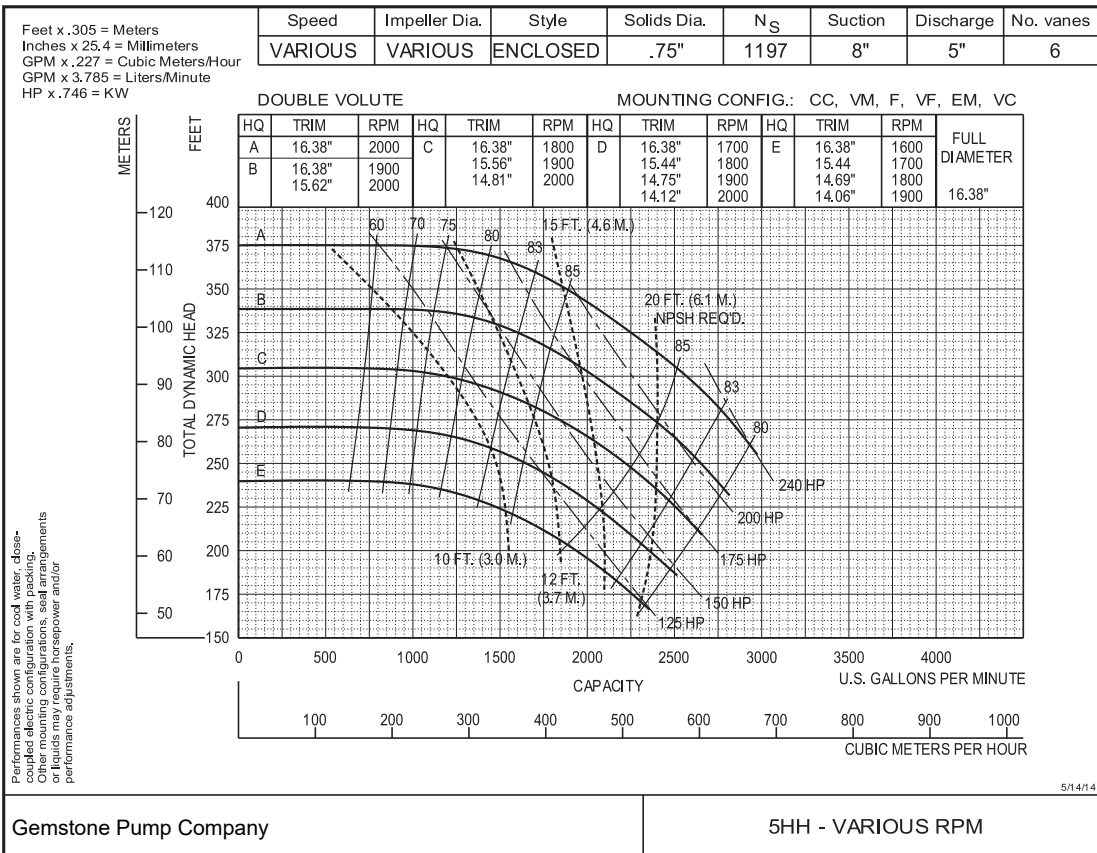
REFRIGERATION



RENTAL



PUMP DIMENSIONS																					
MODEL	FRAME	CONNECTION		DISCH. INCR.	A	B	C	D	DD	E	F	H	L	P	S	U	V	X	Y	Z	KEYWAY
		DISCH.	SUCT.																		
3HA	F18	3	6	90°	12	12.88	29.11	10.5	11.12	5.12	10.38	0.81	10.74	0.88	0.44	2.5	4.5	10	8.53	8.5	.62X.31
3HC	F18	3	6	90°	12	12.88	25.88	10.5	11.12	5.12	10.38	0.81	7.5	0.88	0.44	2.5	4.5	10	8.53	8.5	.62X.31
4HC	F18	4	8	90°	12	12.88	26.97	10.5	12.62	5.12	10.38	0.81	8.6	0.88	0.88	2.5	4.5	11	10.88	9.75	.62X.31
4HH	F18	4	6	90°	12	12.88	29.14	10.5	15	5.12	10.38	0.81	10.77	0.88	0.44	2.5	4.5	9.5	8.97	11.25	.62X.31
5H	F18	5	8	90°	12	12.88	29.17	10.5	14.75	5.12	10.38	0.81	10.8	0.88	0.88	2.5	4.5	13	9.66	11.62	.62X.31
5HH	F18	5	8	90°	12	12.88	29.84	10.5	16.25	5.12	10.38	0.81	11.47	0.88	0.44	2.5	4.5	11	10.56	10.25	.62X.31
6H	F18	6	8	90°	12	12.88	29.14	10.5	14.75	5.12	10.38	0.81	10.77	0.88	0.44	2.5	4.5	14	10.18	11.62	.62X.31
6HH	F18	6	8	90°	12	12.88	30.13	10.5	17.12	5.12	10.38	0.81	11.91	0.88	0.44	2.5	4.5	12	10.43	12	.62X.31
8H	F18	8	10	90°	12	12.88	30.41	10.5	16.75	5.12	10.38	0.81	12.03	0.88	0.75	2.5	4.5	13	10.41	11.5	.62X.31



NEW PAGE

5HH VA

5/14/14