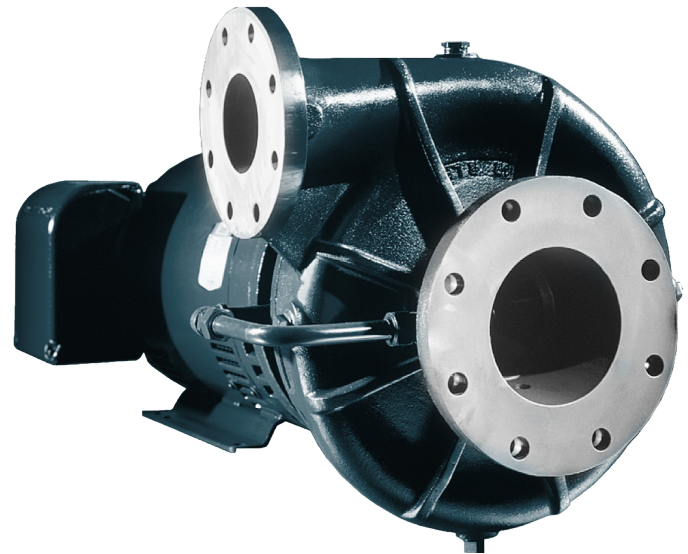


### AVAILABLE MOUNTING CONFIGURATIONS

5RB-CC CLOSE-COUPLED  
5RB-VM VERTICAL CLOSE-COUPLED

### OPERATING LEVELS

<b>MIN FLOW</b>	200 GPM	46 m <sup>3</sup> /h
<b>MAX FLOW</b>	2200 GPM	500 m <sup>3</sup> /h
<b>DISCHARGE SIZE</b>	5"	127 mm
<b>SUCTION SIZE</b>	8"	203 mm
<b>SOLIDS HANDLING</b>	1"	25.4 mm
<b>MAX SPEED</b>	1800 RPM	1800 RPM
<b>SHUT-OFF HEAD</b>	200'	61 m
<b>MAX WORKING PRESSURE</b>	155 PSI	1069 kPa
<b>BEP HEAD</b>	160'	48.8 m
<b>BEP FLOW</b>	1600 GPM	363 m <sup>3</sup> /h
<b>BEP PERCENT</b>	86%	86%



A typical picture of the pump is shown. Please contact Gemstone Pump Company for further details. All information is approximate and for general guidance only.

The 5RB general purpose pump is designed with Gemstone's renowned quality and durability. It features a 5" discharge and a 8" suction, enclosed multi-vane impeller and flanged tangential double volute. Optional motors include TEFC (other options available).

- External hydraulic balance line
- Back pullout design
- Replaceable hub & suction wear rings
- Replaceable shaft sleeve
- High efficiency hydraulics
- Low operating costs
- Two year warranty
- Optional Cycloseal® with type 1 mechanical seal
- Optional Run-Dry™ lubrication system
- "Shower curtain shield" bearing protection
- Double volute

PARTS	STANDARD MATERIAL (CAST IRON BRONZE FITTED)
<b>WEAR RINGS</b>	Bronze SAE 660
<b>IMPELLER</b>	Bronze SAE 40
<b>VOLUTE</b>	Cast Iron ASTM A48 CL30
<b>SHAFT</b>	Carbon Steel
<b>SHAFT SLEEVE</b>	Bronze SAE 660
<b>BACKPLATE</b>	Cast Iron ASTM A48 CL30
<b>PACKING (STANDARD)</b>	Graphited Acrylic
<b>MECHANICAL SEAL (OPTIONAL)</b>	Single T-1, Buna, Carbon/ Ceramic
<b>MOTOR</b>	Open drip-proof w/ 1.15 service factor



AGRICULTURE



FOOD



INDUSTRIAL



MINING



MUNICIPAL



OIL & GAS

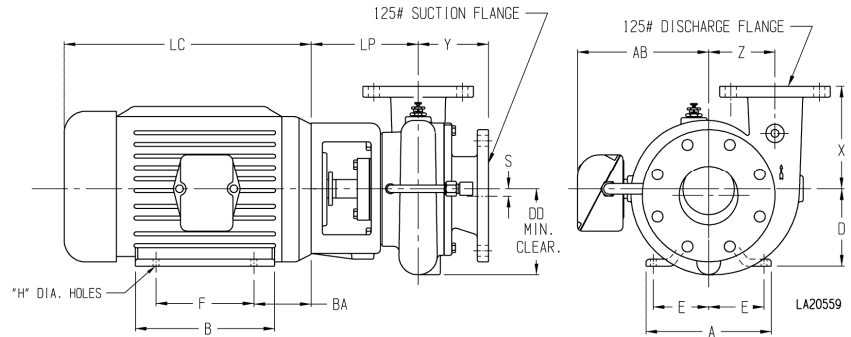


REFRIGERATION



RENTAL

# 5RB-CC

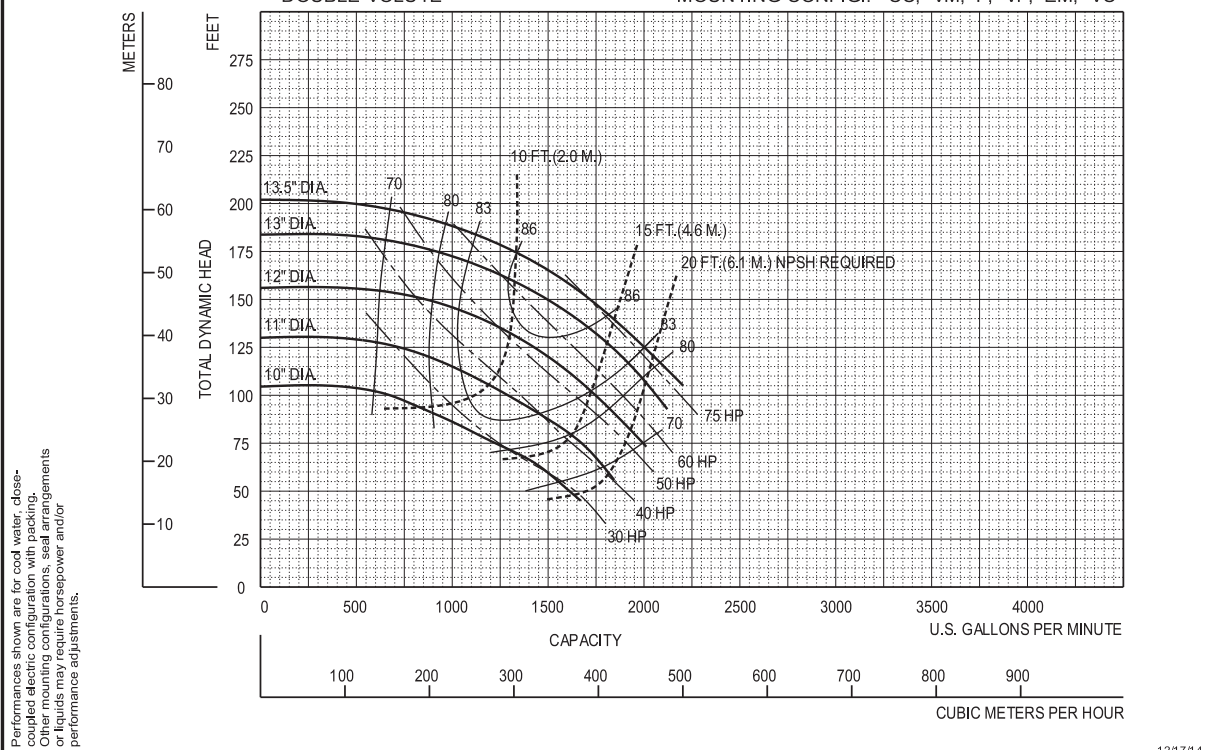


PUMP DIMENSIONS										
MODEL	CONNECTION		DISCHARGE INCREMENT	AK DIM.	DD	S	X	Y	Z	LP
	DISCHARGE	SUCTION								
5RB	5	8	90°	12.5	14.25	.88	11	9.78	10	10.62

MOTOR DIMENSIONS										
MOTOR FRAME	AK DIM.	A	B	D	E	F	H	AB	BA	LC
324-6	12.5	14.25	14	8	6.25	12	0.66	12.22	5.5	22.19
364-5	12.5	15.75	14	9	7	12.25	0.66	13.2	6.12	24.31
404-5	12.5	18.5	16.62	10	8	13.75	0.81	16.39	6.88	29.97

Feet x .305 = Meters Inches x 25.4 = Millimeters GPM x .227 = Cubic Meters/Hour GPM x 3.785 = Liters/Minute HP x .746 = KW	Speed	Impeller Dia.	Style	Solids Dia.	N <sub>S</sub>	Suction	Discharge	No. vanes
	1780	VARIOUS	ENCLOSED	1.0"	1654	8"	5"	6



Gemstone Pump Company 5RB-1800 RPM

NEW PAGE

5RB18

12/17/14