

# GEMSTONE PUMP COMPANY

## Model 6NC Chopper Pump

### STANDARD SPECIFICATIONS

**Cutter Bar** - T1 tool steel heat treated to minimum 60 Rockwell C Hardness.

**Casing** - all ductile iron

**Impeller** - open, cast steel AISI 8630

**Shaft** - AISI 4142 heat treated to minimum 60 Rockwell C Hardness.

**Thrust Bearings** - Back-to-back angular contact ball type.

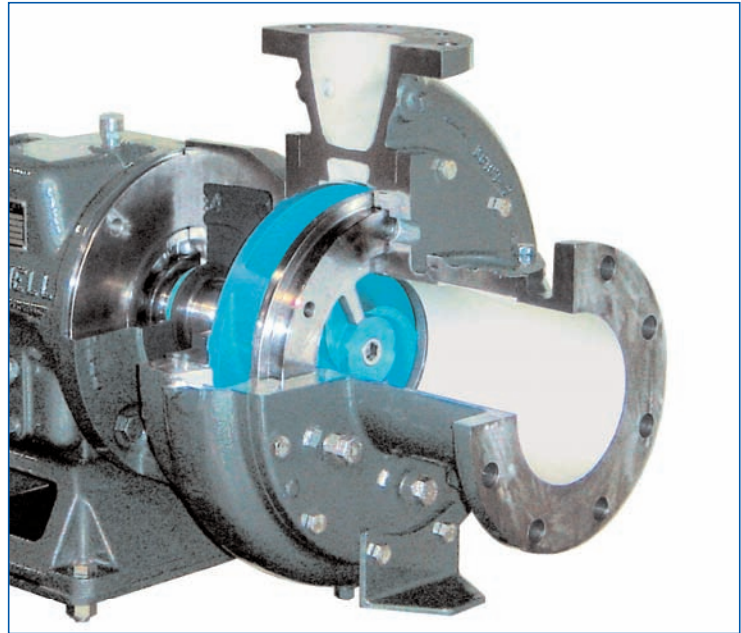
**Radial Bearings** - Single ball type.

**Mechanical Seal** - John Crane single, type 2 Tungsten Carbide vs. Silicon Carbide.

Optional oil lubrication system with reservoir.

**Shaft Sleeve** - stainless steel, AISI 416

**Flanges** - 125 lbs.



### PUMP CAPABILITY

- Ideally suited for chopping solids
- 30-200 TDH available
- Flows 0-1500 GPM

### FEATURES & BENEFITS

- Available in a variety of mounting configurations including:
  - Horizontal Frame
  - Vertical Frame
  - Submersible
- Abrasive resistant construction
- Patented Cycloseal® design (patent #5489187)
- Two year warranty

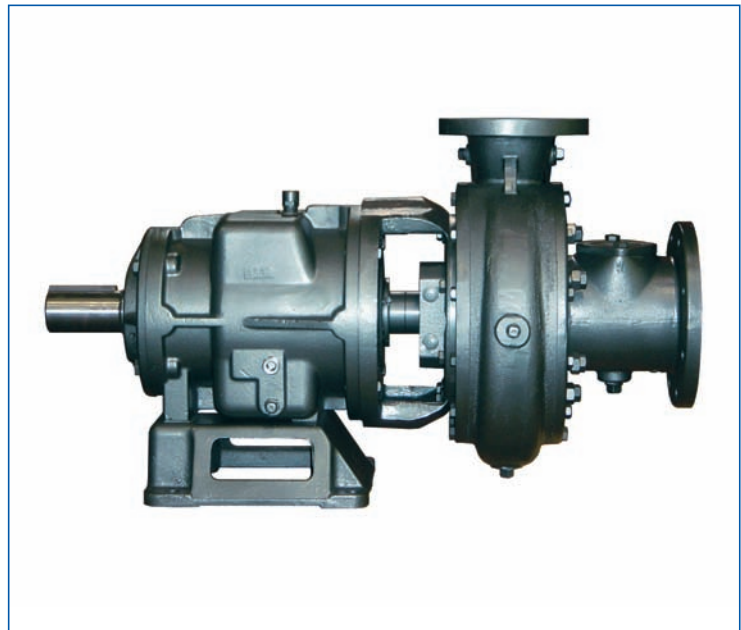
### TYPICAL APPLICATIONS

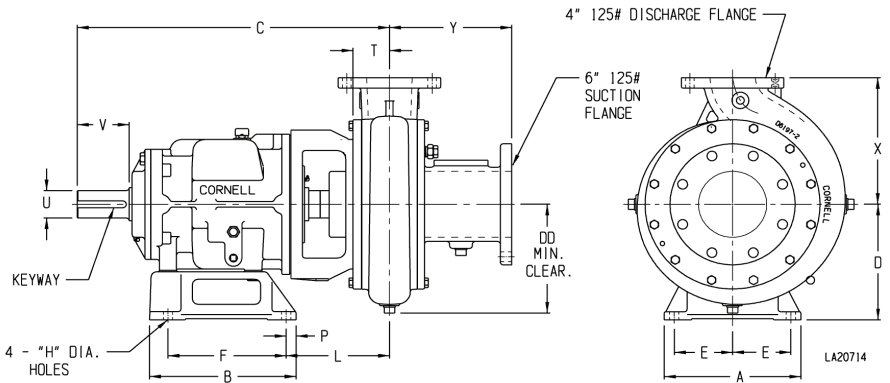
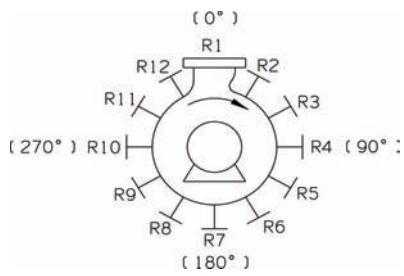
#### Industrial

- Food Processing
- Wood Products
- Automotive
- Mining
- Sand and gravel

#### Waste Water

- Lift Stations
- Septage Receiving
- Sludge Transfer and Recirculation
- Digester Scum Blankets
- Clarifier Scum





**NOTES :**

- A. Discharge positions viewed from the drive end.
- B. Consult factory for other discharge positions.

**NOTES :**

- 1. "V" Dimension is maximum useable shaft.
- 2. Frame mounting foot thickness is .75".
- 3. Flange connection dimension can vary ± .12 inch.
- 4. Do not use for construction unless certified.

## PUMP DIMENSIONS

Model	Frame	Disch.	Suct.	A	B	C	D	DD	E	F	H	L	P	T	U	V	X	Y	Keyway
6NC	F18	6	8	12.00	12.88	27.69	10.5	11	5.12	10.38	0.81	9.33	0.88	3.50	2.50	4.50	12.00	11.75	.62 x .31

### 6 NC

