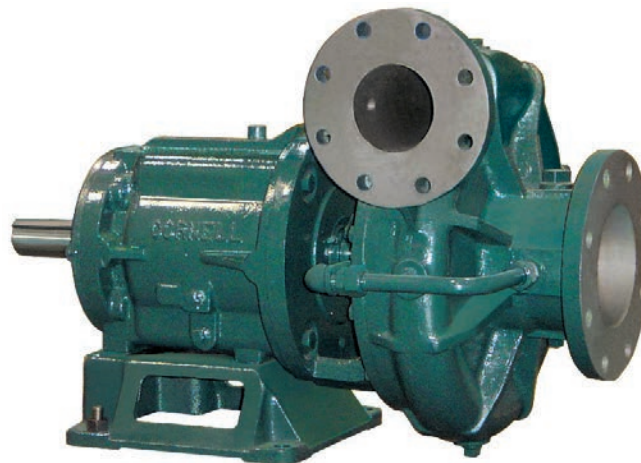


AVAILABLE MOUNTING CONFIGURATIONS

6RB-F FRAME MOUNT
6RB-RP-F FRAME MOUNT
6RB-EM ENGINE MOUNT
6RB-RP-EM ENGINE MOUNT
6RB-VF VERTICAL FRAME MOUNT
6RB-VM VERTICAL COUPLED

OPERATING LEVELS

MIN FLOW	750 GPM	170.2 m ³ /h
MAX FLOW	4250 GPM	964.7 m ³ /h
DISCHARGE SIZE	6"	152 mm
SUCTION SIZE	10"	254 mm
SOLIDS HANDLING	1.31"	33 mm
MAX SPEED	2200 RPM	2200 RPM
MAX WORKING PRESSURE	130 PSI	896 kPa
SHUT-OFF HEAD	305'	93 m
BEP HEAD	235'	71.6 m
BEP FLOW	3600 GPM	817 m ³ /h
BEP PERCENT	89%	89%



A typical picture of the pump is shown. Please contact Gemstone Pump Company for further details. All information is approximate and for general guidance only.

The 6RB general purpose pump is designed with Gemstone's renowned quality and durability. It features a 6" discharge and a 10" suction, enclosed multi-vane impeller and flanged tangential double volute. Compatible with the following bearing frames: F16, F18, F18DB, EM16, EM18, EM18DB, VC16, VC18, VC18DB, VF16, VF18, VF18DB.

- External hydraulic balance line
- Back pullout design
- Replaceable hub & suction wear rings
- Replaceable shaft sleeve
- High efficiency hydraulics
- Low operating costs
- Modular bearing frame
- Long B-10 Bearing Life (20,000 hour minimum)
- Two year warranty
- Optional Cycloseal® with type 1 mechanical seal
- Optional Run-Dry™ lubrication system
- Grease lubrication standard - oil lubrication optional
- SAE #1, 2, 3 engine mount available to fit
- Oversized shaft and bearings
- Double volute

PARTS	STANDARD MATERIAL (BRONZE FITTED)
WEAR RINGS	BRONZE SAE 660
IMPELLER	BRONZE SAE40
VOLUTE	CAST IRON ASTM A48 CL30
SHAFT	SAE 1144 "STRESSPROOF" STEEL
SHAFT SLEEVE	BRONZE SAE 660
SUCTION SPOOL	CAST IRON ASTM A48 CL30
BACKPLATE	CAST IRON ASTM A48 CL30
PACKING (STANDARD)	GRAPHITED ACRYLIC
MECHANICAL SEAL (OPTIONAL)	T-1, BUNA, CARBON/CERAMIC



AGRICULTURE



FOOD



INDUSTRIAL



MINING



MUNICIPAL



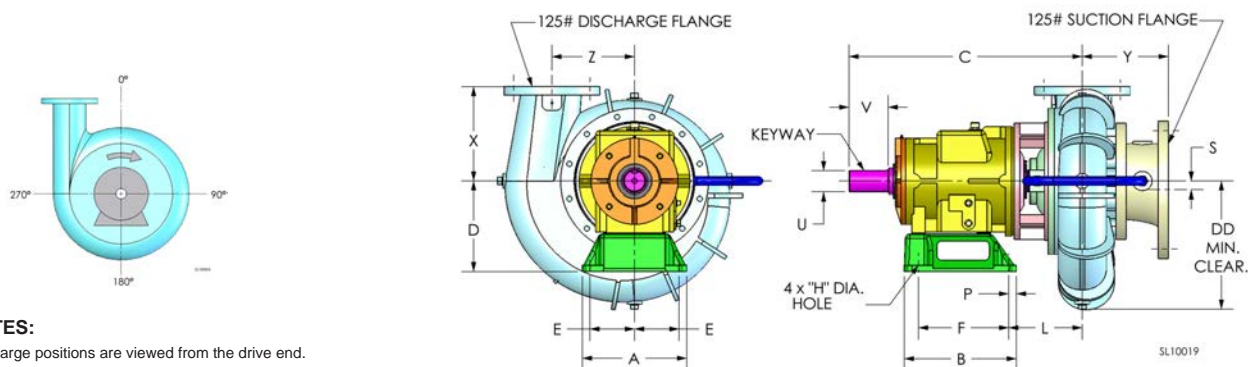
OIL & GAS



REFRIGERATION



RENTAL



NOTES:

Discharge positions are viewed from the drive end.
 Standard increments of discharge position are shown in the chart below (DISCH INCR). Consult factory for other discharge positions.

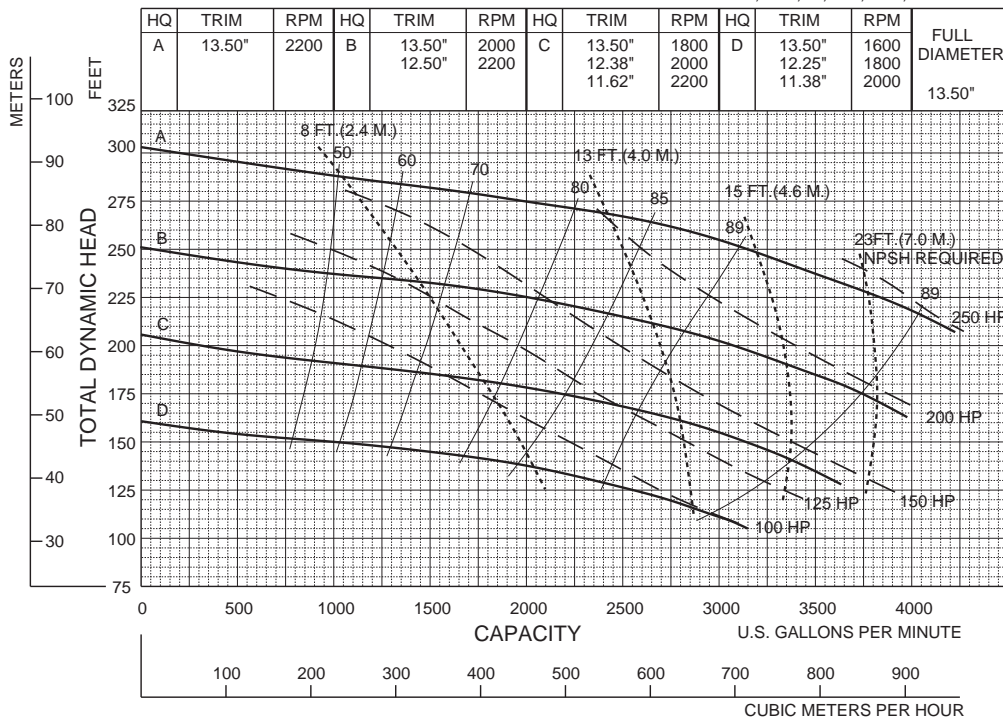
PUMP DIMENSIONS

MODEL	FRAME	CONNECTION		DISCH. INC.	A	B	C	D	DD	E	F	H	L	P	S	U	V	X	Y	Z	KEYWAY
		DISCH.	SUCT.																		
6RB	F18	6	10	90°	12	12.88	30.08	10.5	15.38	5.12	10.38	0.81	11.71	0.88	1	2.5	4.5	11	9.91	9.5	.62X.31

Feet x .305 = Meters
 Inches x 25.4 = Millimeters
 GPM x .227 = Cubic Meters/Hour
 GPM x 3.785 = Liters/Minute
 HP x .746 = KW

Speed	Impeller Dia.	Style	Solids Dia.	N _s	Suction	Discharge	No. vanes
VARIOUS	VARIOUS	ENCLOSED	1.31"	2209	10"	6"	6

DOUBLE VOLUTE MOUNTING CONFIG.: CC, VM, F, VF, EM, VC



Performances shown are for cool water, close-coupled electric configuration with Cyclopaal™. Other mounting styles or liquids may require horsepower and/or performance adjustments.

NEW PAGE

6RBVA

9/99

Gemstone Pump Company

6RB - VARIOUS RPM