



GEMSTONE PUMP COMPANY

Delta™ Model 8NHDH-F

STANDARD SPECIFICATION

Size: 8NHDH - 8" discharge x 10" suction with 125# cast iron flanges.

Impeller - Semi-open, 2 vane: handles 3" solids

Volute - Right hand tangential and centerline discharge, eight positions

Mechanical Seal or Traditional Packing - Single, type 2, silicon carbide/tungsten carbide mechanical seal: Cycloseal® design, Run-dry available

Materials of Construction

- Cast iron casing, cast iron impeller
- Other materials available, including corrosion resistant materials

FEATURES & BENEFITS

• **Semi-open Impeller**

- handles difficult to pump liquids, rags, wet straw and other difficult to pump slurries and sludges that other pumps can not handle.
- smooth vanes prevent hang-up or "pinning" of stringy materials.
- handles slurries and sludges with abrasive particles.
- no wear rings are required.
- no axial clearance adjustments are required.
- aids in passing solids through the pump and breaking up larger solids.
- resists ragging

• **TDH to 110 ft., speeds to 1800 RPM or more**

- handles high head situations and flow rates to 1,800 GPM.

• **High Efficiencies**

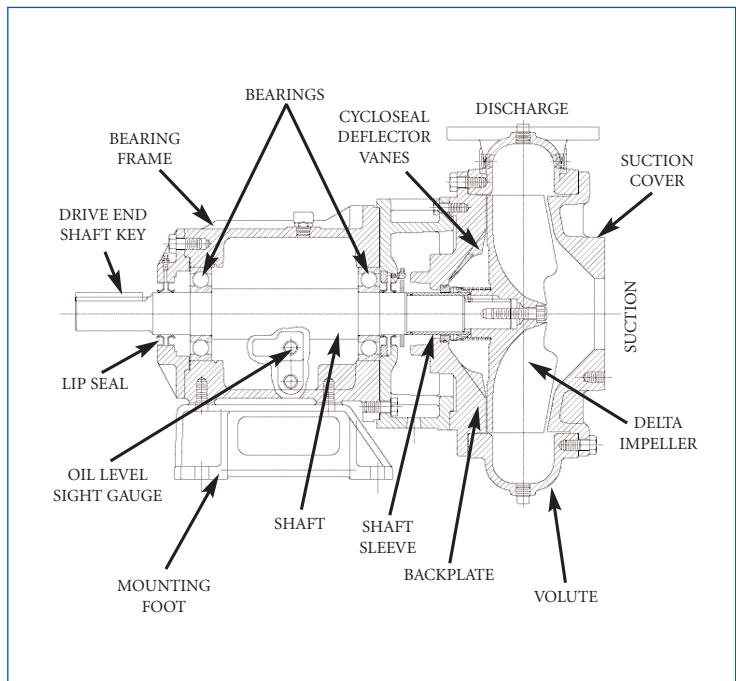
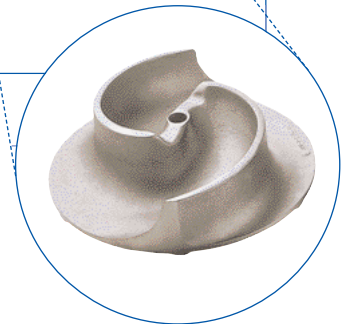
- due to higher efficiencies, these pumps can often provide significant energy savings and lower operating costs.

• **Impeller Options**

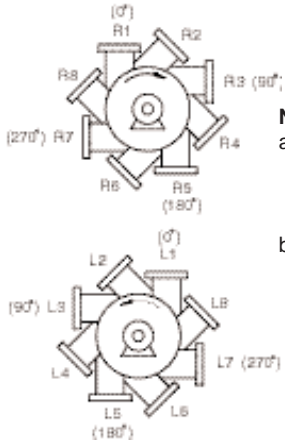
- available in 2 or 3 vane impeller design.

• **Mounting Options**

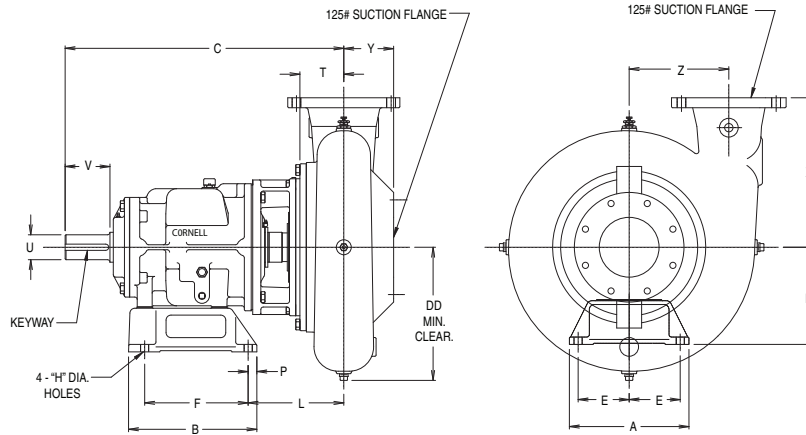
- available in a variety of mounting configurations.



PUMP DIMENSIONS



NOTES:
 a. Discharge positions viewed from drive end.
 b. Consult factory for other discharge positions.



NOTES:

1. "V" dimension is maximum useable shaft.
2. Mounting foot thickness is .75".
3. Flange connection dimension can vary $\pm .12$ inch.
4. Do not use for construction unless certified.

Model	Frame	CONNECTION		A	B	C	D	DD	E	F	H	L	P	T	U	V	X	Y	Z	KEYWAY
		Disch.	Suct.																	
8NHDH	F18	8	10	12	12.88	28.72	10.5	18.5	5.12	10.38	0.81	10.34	0.88	4.67	2.5	4.5	15	7.48	14	.62 x .31

PERFORMANCE CURVES

