

# 8NHTA-F

**\*NOW STOCKED IN CD4MCu**

### AVAILABLE MOUNTING CONFIGURATIONS

8NHTA-F FRAME MOUNT  
 8NHTA-RP-F REDI-PRIME FRAME MOUNT  
 8NHTA-EM ENGINE MOUNT  
 8NHTA-RP-EM REDI-PRIME ENGINE MOUNT  
 8NHTA-VF VERTICAL FRAME MOUNT

### OPERATING LEVELS

<b>MIN FLOW</b>	400 GPM	91 m <sup>3</sup> /h
<b>MAX FLOW</b>	5100 GPM	1158 m <sup>3</sup> /h
<b>DISCHARGE SIZE</b>	8"	203 mm
<b>SUCTION SIZE</b>	10"	254 mm
<b>SOLIDS HANDLING</b>	3.38"	86 mm
<b>MAX SPEED</b>	1800 RPM	1800 RPM
<b>SHUT-OFF HEAD</b>	350'	107 m
<b>BEP HEAD</b>	219'	67 m
<b>BEP FLOW</b>	3697 GPM	840 m <sup>3</sup> /h
<b>BEP PERCENT</b>	82%	82%



A typical picture of the pump is shown. Please contact Gemstone's Pump Company for further details. All information is approximate and for general guidance only.

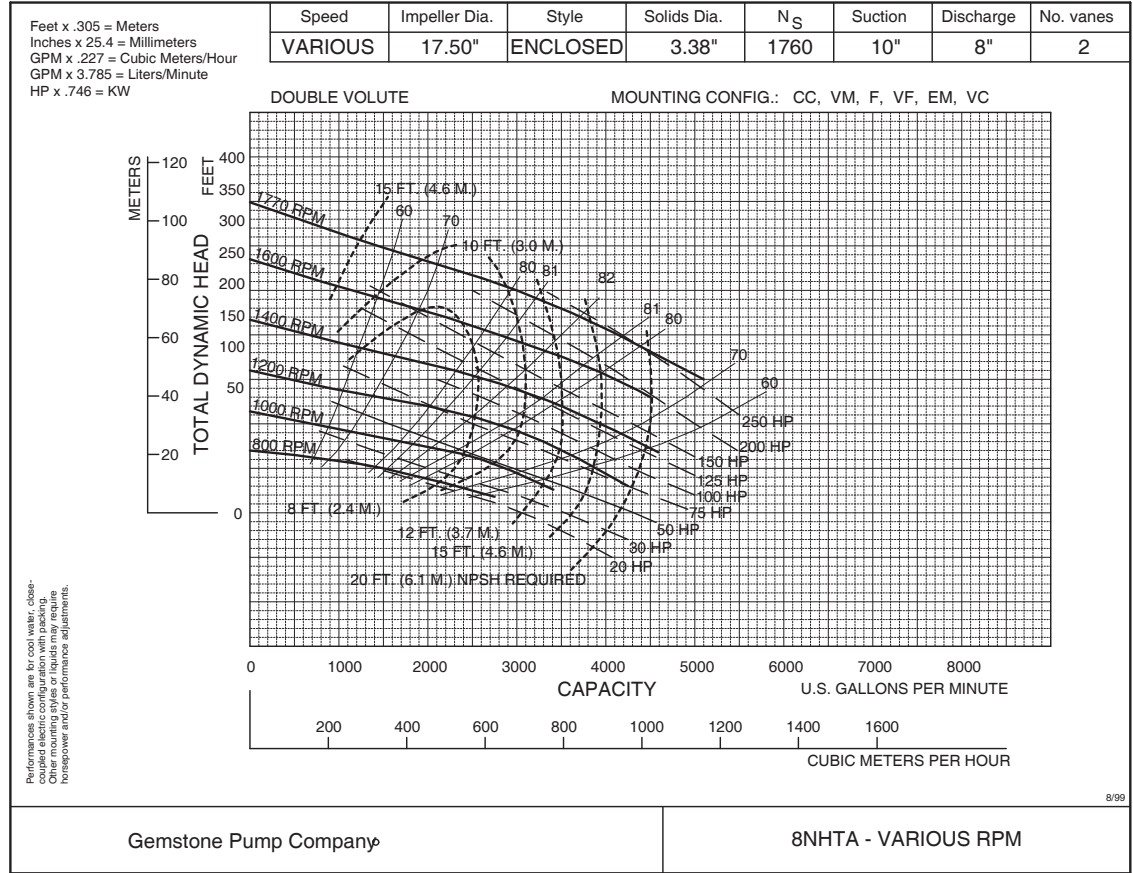
PARTS	STANDARD MATERIAL (ALL IRON)	CD4MCU
<b>WEAR RING</b>	CAST IRON	CD4MCU
<b>IMPELLER</b>	CAST IRON	CD4MCU
<b>VOLUTE</b>	CAST IRON	CD4MCU
<b>SHAFT</b>	4140/4142 BD	17-4PH
<b>SHAFT SLEEVE</b>	416 STAINLESS STEEL	316V STAINLESS STEEL
<b>MECHANICAL SEAL</b>	TUNGSTEN CARBIDE VS. SILICON CARBIDE	TUNGSTEN CARBIDE VS. SILICON CARBIDE
<b>BEARING FRAME</b>	CAST IRON	CAST IRON

The 8NHTA pump is designed with Gemstone's renowned quality and durability. It features an 8" discharge, 10" suction, and enclosed impeller. Available in All Iron or CD4MCu materials. Gemstone's patented Cycloseal® design is standard, with a Type 1 or 2 single mechanical seal with Buna-N elastomers, stainless steel hardware and tungsten carbide vs. silicon carbide seal faces for abrasion resistance.

- Cycloseal sealing system
- Robust construction
- High efficiency hydraulics
- Oversize shaft and bearings
- Optional Redi-Prime Priming system
- Two-year warranty



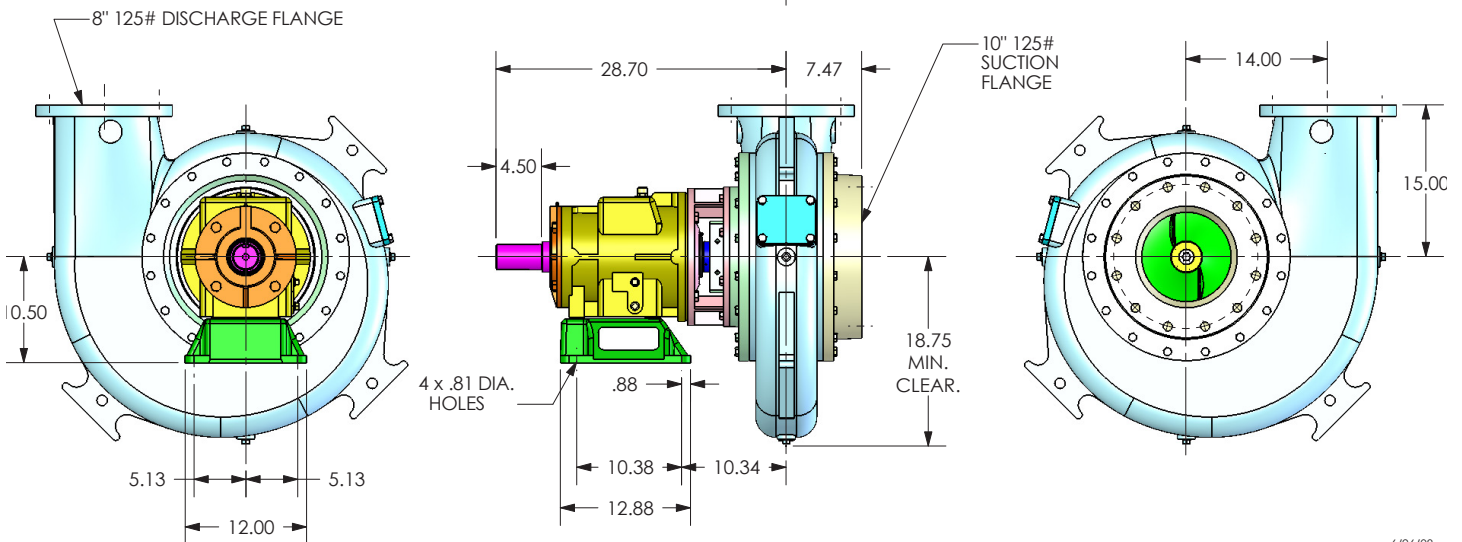
# 8NHTA-F



NEW PAGE  
8NHTA-V

Gemstone Pump Company

8NHTA - VARIOUS RPM



6/26/08